

CTS Copper Butterfly Valve Series 6700



Material Specifications

Valve Body:

ASTM B584 C89836; Bronze, Low Lead

Disc:

ASTM A536 Gr. 65-45-12; Ductile Iron

Disc Encapsulation:

Grade "EP" EPDM Rubber: Service temperature range: -40°F to +250°F (-40°C to +121°C). Recommended for water service, diluted acids, alkaline solutions, and oil-free air.

NOT RECOMMENDED FOR USE IN PETROLEUM APPLICATIONS.

Upper and Lower Shafts:

Stainless Steel Type 17-4PH; ASTM A564

Certifications:

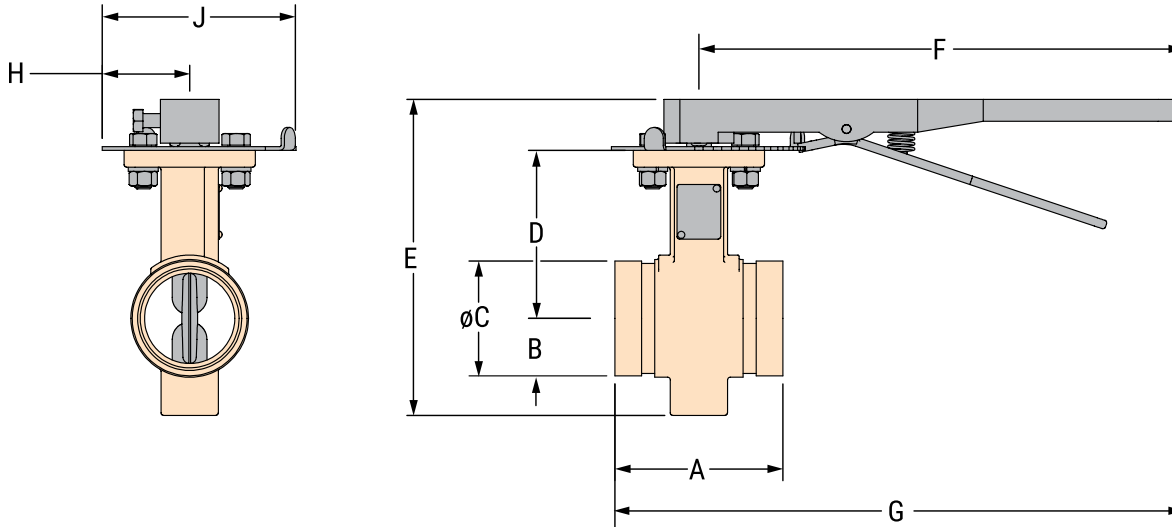
ANSI/NSF61 for use in Cold +86F(+30C) and Hot +180F(+82C) potable water systems. Annex G. UPC.

The lever handle bronze body butterfly valve is designed for use with grooved copper tubing (CTS), fittings and couplings. This valve features a 10 position lever handle, bronze body and EPDM rubber encapsulated disc. Both bronze valve body and the EPDM rubber disc obtained certification to ANSI/NSF 61 for use in potable water systems and is rated to 300 PSI.



PROJECT INFORMATION	APPROVAL STAMP
Project:	Approved
Address:	Approved as noted
Contractor:	Not approved
Engineer:	Remarks:
Submittal Date:	
Notes 1:	
Notes 2:	

CTS Copper Butterfly Valve
Fig. Series 6700



CTS Copper Butterfly Valve Dimensions

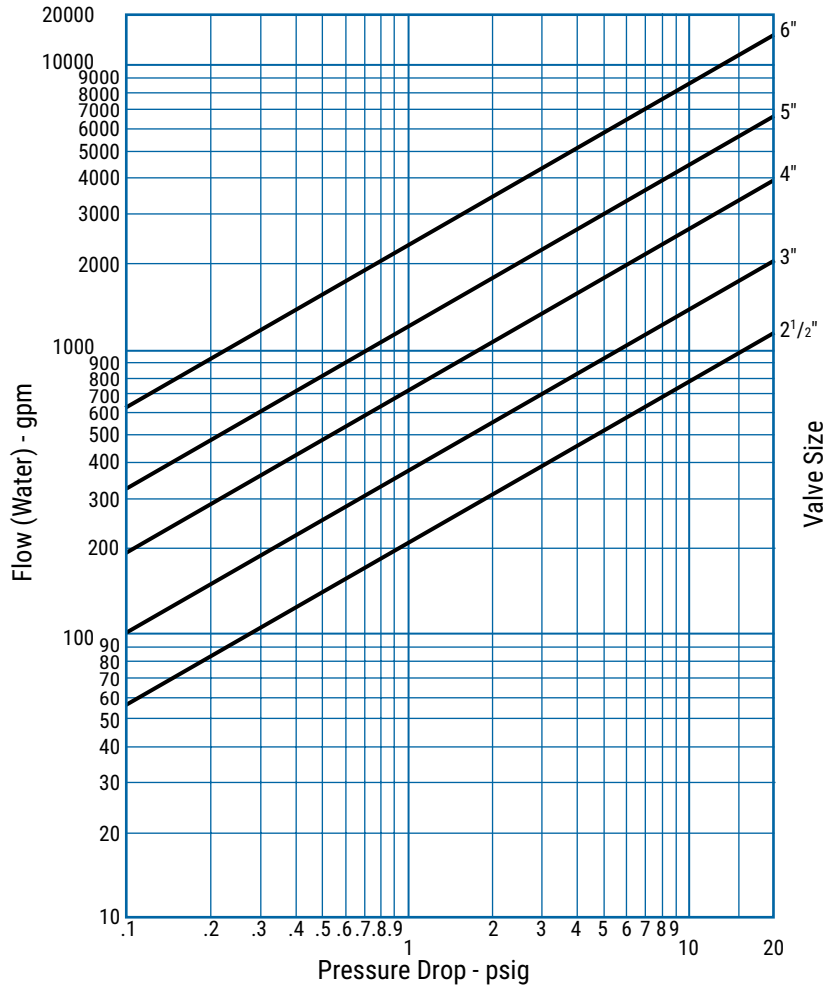
Nominal Size	Copper Tube Diameter	Dimensions									Weight
		A	B	C	D	E	F	G	H	J	
In.	In./mm	In./mm	In./mm	In./mm	In./mm	In./mm	In./mm	In./mm	In./mm	In./mm	Lbs./kg
2½	2.625	3.77	2.22	2.63	3.83	7.20	10.50	12.39	2.00	4.43	4
	66.7	95.8	56.4	66.7	97.3	182.5	266.7	314.6	50.8	112.5	1.8
3	3.125	3.77	2.60	3.13	4.08	7.84	10.50	12.39	2.00	4.43	5
	79.4	95.8	65.9	79.4	130.5	198.2	266.7	314.6	50.8	112.5	2.3
4	4.125	4.63	3.10	4.13	4.72	8.97	10.50	12.81	2.00	4.43	8
	104.8	117.6	78.7	104.9	119.9	227.8	266.7	325.5	50.8	112.5	3.8
5	5.125	5.88	3.85	5.13	5.22	10.27	10.50	13.44	2.00	4.43	14
	130.2	149.4	97.8	130.2	132.6	260.9	266.7	341.4	50.8	112.5	6.4
6	6.125	5.88	4.36	6.13	5.75	11.31	10.50	13.44	2.00	4.43	18
	155.6	149.4	110.8	155.6	146.2	287.3	266.7	341.4	50.8	112.5	8.1



asc-es.com

Building connections that last™

CTS Copper Butterfly Valve Series 6700



Values for flow of water at +60°F (+16°C)

$$C_v = \frac{Q}{\sqrt{\Delta P}}$$

Where: C_v = Flow coefficient

Q = Flow (GPM)

ΔP = Pressure drop (psi)

CTS Copper Butterfly Ordering Information

Sample Part Number 4" AN6721-3 --->	4"	A	N	67	2	1 -	3
	Size	Body Style	Body Type	Series	Disc Coating	Operator	Shaft
	2 1/2" - 6"	A	Bronze	6700	2 - EPDM (Grade EP)	1 - 10 Pos. Handlever	3 - Stainless Steel Type 17-4PH



asc-es.com

Building connections that last™