



COMMERCIAL GAS REPLACEMENT PARTS LIST

High Efficiency Commercial Gas Models



Models Covered:

Models Covered:

PAGE #3 SECTION 1: SERIAL NUMBERS

“XC-” (MAR. 2021) AND LATER:

EF60T125(E)*(N,X)(A)(2)

EF60T150(E)*(N,X)(A)(2)

EF60T199(E)*(N,X)(A)(2)

EF100T150(E)*(N,X)(A)(2)

EF100T199(E)*(N,X)(A)(2)

EF100T250(E)*(N,X)(A)(2)

EF100T300(E)*(N,X)(A)(2)

(*) Denotes Warranty Years

PAGE #13 SECTION 2: SERIAL NUMBERS

“XL-” (NOV. 2021) AND LATER

W/ -895 DESIGNATOR:

EF60T125(E)*(N,X)(A)(2)

EF60T150(E)*(N,X)(A)(2)

EF60T199(E)*(N,X)(A)(2)

EF100T150(E)*(N,X)(A)(2)

EF100T199(E)*(N,X)(A)(2)

(*) Denotes Warranty Years

Effective: November, 2022

ECO 8562

NOTE: BOTH MODEL AND SERIAL NUMBERS ARE REQUIRED FOR ORDERING REPLACEMENT PARTS

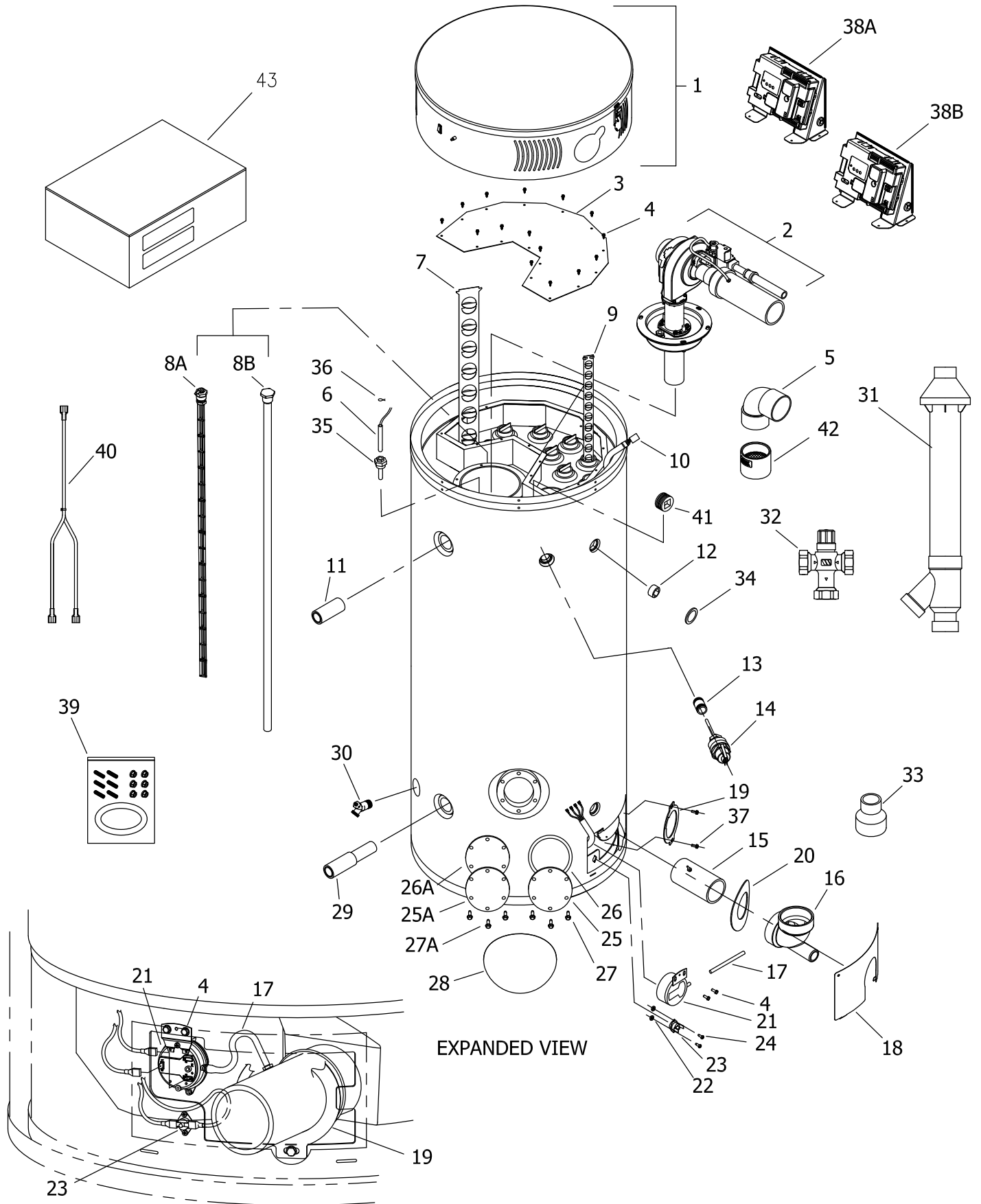
Dimensions and specifications subject to change without notice.



As required by the state of California Proposition 65.

SECTION 1: Serial Numbers "XC-" (March 2021) and Later

APPLIES TO PAGES: 2 THROUGH 13



EXHAUST SERVICE AREA DETAIL (ASSEMBLED)

SECTION 1: Serial Numbers "XC-" (March 2021) and Later

APPLIES TO PAGES: 2 THROUGH 13

Item Description	Model	Model	Model
	EF60T125(E)*(N,X)(A)2	EF60T150(E)*(N,X)(A)2	EF60T199(E)*(N,X)(A)2
1 Combustion Surround Assembly	243-54046-01	243-54046-01	243-54046-01
2 Combustion System Assembly	See Page 6	See Page 6	See Page 6
3 Collector Cover Second Pass	239-52975-00	239-52975-00	239-52975-00
4 Screw 10-16 x 3/4	239-44444-00	239-44444-00	239-44444-00
5 Elbow-Vent Terminal (2 Req'd)	415-40579-00	415-40579-00	415-40579-00
6 Temperature Sensor	415-46553-02	415-46553-02	415-46553-02
7 Baffle 4" Flue (2 Req'd)	243-43304-00	243-43304-00	243-43304-00
8a Anode Rod (Powered) (2 Req'd) (If Applicable)	224-53839-00	224-53839-00	224-53839-00
8b Magnesium Anode Rod	415-47782-12	415-47782-12	415-47782-12
9 Baffle 2" Flue (8 Req'd)	239-45659-00	239-45659-00	239-45659-00
10 Wire Harness-Service Panel	239-43358-02	239-43358-02	239-43358-02
11 Nipple Hot Water Outlet Plasticsert (Front Connect)	229-40913-07	229-40913-07	229-40913-07
12 Pipe Plug 1" NPT	239-02048-00	239-02048-00	239-02048-00
13 Nipple Plasticsert T&P	229-32762-02	229-32762-02	229-32762-02
14 T&P Relief Valve	415-30246-00	415-30246-00	415-30246-00
15 Exhaust Vent Pipe	239-45971-00	239-45971-00	239-45971-00
16 Condensate Elbow	415-43211-00	415-43211-00	415-43211-00
17 Silicone Tubing 3/16" I.D.	239-41718-00	239-41718-00	239-41718-00
18 Outer Door Service Panel	243-44668-00	243-44668-00	243-44668-00
19 Bracket Exhaust Support	239-44667-00	239-44667-00	239-44667-00
20 Escutcheon-Exhaust Pipe (EF Series)	239-43997-00	239-43997-00	239-43997-00
21 Exhaust Pressure Switch	415-46037-01	415-46037-01	415-46037-01
22 Keps Nut (2 Req'd)	239-81844-00	239-81844-00	239-81844-00
23 Hi-Limit Switch	415-43238-02	415-43238-02	415-43238-02
24 Screw 6-32 x 3/8 (2 Req'd)	239-81843-00	239-81843-00	239-81843-00
25 Cleanout Cover	205-18428-00	205-18428-00	205-18428-00
25A Cleanout Cover (ASME)	205-32941-00	205-32941-00	205-32941-00
26 Cleanout Gasket	205-18427-00	205-18427-00	205-18427-00
26A Cleanout Gasket (ASME)	205-32942-00	205-32942-00	205-32942-00
27 Screw 5/16 - 18 x 1/2	239-82166-00	239-82166-00	239-82166-00
27A Screw 5/16 - 18 x 1/2 (ASME) (6 Req'd)	239-32970-00	239-32970-00	239-32970-00
28 Clean Out Access Cover	243-20299-00	243-20299-00	243-20299-00
29 Dip Tube w/ Nipple Hydrojet (Front Connect)	415-44375-00	415-44375-00	415-44375-00
30 Drain Valve Brass (No Handle)	415-42351-02	415-42351-02	415-42351-02
31 Coaxial Vent Pipe with Terminal (Optional)	415-44069-01	415-44069-01	415-44069-01
32 Approved Mixing Valve (Optional)	239-51778-00	239-51778-00	239-51778-00
33 Reducer 3" x 2"	---	---	---
34 Hole Closure	239-31547-02	239-31547-02	239-31547-02
35 Sensor Well	233-46558-01	233-46558-01	233-46558-01
36 Clip Thermostat	233-45242-00	233-45242-00	233-45242-00
37 Screw 1/4-20 x 5/8 Hex Washer (2 Req'd)	239-42637-00	239-42637-00	239-42637-00
38A ICON Control Box and Wiring (Powered Anodes)	243-54158-00	243-54158-00	243-54158-00
38B ICON Control Box and Wiring (Magnesium Anodes)	243-55242-00	243-55242-00	243-55242-00
39 Kit-Cleanout (Not For Use With ASME Tanks)	415-54256-00	415-54256-00	415-54256-00
40 Power Anode Harness	239-46070-00	239-46070-00	239-46070-00
41 Plug-3/4" NPT X Square Socket	239-11638-00	239-11638-00	239-11638-00
42 Coupling-Vent Terminal	239-46740-00	239-46740-00	239-46740-00
43 BMS Gateway Kit (Optional)	415-53943-00	415-53943-00	415-53943-00

* Applies to all warranties

SECTION 1: Serial Numbers "XC-" (March 2021) and Later

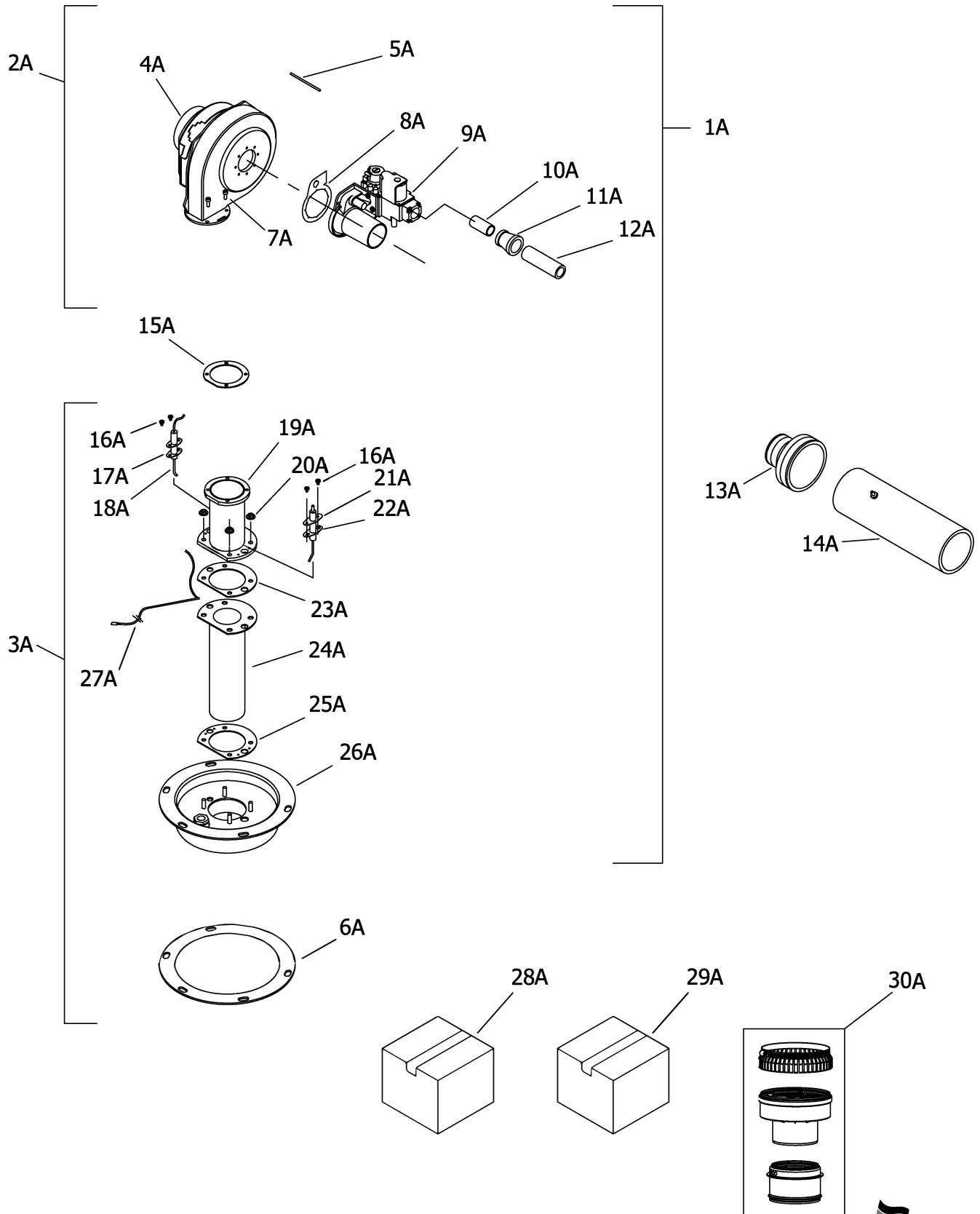
APPLIES TO PAGES: 2 THROUGH 13

Item Description	Model	Model	Model	Model
	EF100T150(E)*(N,X)(A)2	EF100T199(E)*(N,X)(A)2	EF100T250(E)*(N,X)(A)2	EF100T300(E)*(N,X)(A)2
1 Combustion Surround Assembly	243-54046-01	243-54046-01	243-54046-01	243-54046-01
2 Combustion System Assembly	See Page 7	See Page 7	See Page 7	See Page 7
3 Collector Cover Second Pass	239-52975-00	239-52975-00	239-52975-00	239-52975-00
4 Screw 10-16 x 3/4	239-44444-00	239-44444-00	239-44444-00	239-44444-00
5 Elbow-Vent Terminal (2 Req'd)	---	---	---	---
6 Temperature Sensor	415-46553-02	415-46553-02	415-46553-02	415-46553-02
7 Baffle 4" Flue (2 Req'd)	---	243-43304-00	243-43304-00	243-43304-00
8a Anode Rod (Powered) (2 Req'd) (If Applicable)	224-53839-00	224-53839-00	224-53839-00	224-53839-00
8b Magnesium Anode Rod	415-47782-12	415-47782-12	415-47782-12	415-47782-12
9 Baffle 2" Flue (8 Req'd)	239-45658-00	239-45658-00	239-45658-00	239-45658-00
10 Wire Harness-Service Panel	239-43358-01	239-43358-01	239-43358-01	239-43358-01
11 Nipple Hot Water Outlet Plastisert (Front Connect)	229-40913-07	229-40913-07	229-40913-07	229-40913-07
12 Pipe Plug 1" NPT	239-02048-00	239-02048-00	239-02048-00	239-02048-00
13 Nipple Plastisert T&P	229-32762-02	229-32762-02	229-80982-00	229-80982-00
14 T&P Relief Valve	415-30246-00	415-30246-00	415-33630-04	415-33630-04
15 Exhaust Vent Pipe	239-45971-00	239-45971-00	239-45971-00	239-45971-00
16 Condensate Elbow	415-43211-00	415-43211-00	415-43211-00	415-43211-00
17 Silicone Tubing 3/16" I.D.	239-41718-00	239-41718-00	239-41718-00	239-41718-00
18 Outer Door Service Panel	243-44668-00	243-44668-00	243-44668-00	243-44668-00
19 Bracket Exhaust Support	239-44667-00	239-44667-00	239-44667-00	239-44667-00
20 Escutcheon-Exhaust Pipe (EF Series)	239-43997-00	239-43997-00	239-43997-00	239-43997-00
21 Exhaust Pressure Switch	415-46037-01	415-46037-01	415-46037-01	415-46037-01
22 Keps Nut (2 Req'd)	239-81844-00	239-81844-00	239-81844-00	239-81844-00
23 Hi-Limit Switch	415-43238-02	415-43238-02	415-43238-02	415-43238-02
24 Screw 6-32 x 3/8 (2 Req'd)	239-81843-00	239-81843-00	239-81843-00	239-81843-00
25 Cleanout Cover	205-18428-00	205-18428-00	205-18428-00	205-18428-00
25A Cleanout Cover (ASME)	205-32941-00	205-32941-00	205-32941-00	205-32941-00
26 Cleanout Gasket	205-18427-00	205-18427-00	205-18427-00	205-18427-00
26A Cleanout Gasket (ASME)	205-32942-00	205-32942-00	205-32942-00	205-32942-00
27 Screw 5/16 - 18 x 1/2	239-82166-00	239-82166-00	239-82166-00	239-82166-00
27A Screw 5/16 - 18 x 1/2 (ASME) (6 Req'd)	239-32970-00	239-32970-00	239-32970-00	239-32970-00
28 Clean Out Access Cover	243-20299-00	243-20299-00	243-20299-00	243-20299-00
29 Dip Tube w/ Nipple Hydrojet (Front Connect)	415-44375-00	415-44375-00	415-44375-00	415-44375-00
30 Drain Valve Brass (No Handle)	415-42351-02	415-42351-02	415-42351-02	415-42351-02
31 Coaxial Vent Pipe with Terminal (Optional)	415-44069-01	415-44069-01	415-44069-01	415-44069-01
32 Approved Mixing Valve (Optional)	239-51778-00	239-51778-00	239-51778-00	239-51778-00
33 Reducer 3" x 2"	---	---	---	---
34 Hole Closure	239-31547-02	239-31547-02	239-31547-02	239-31547-02
35 Sensor Well	233-46558-01	233-46558-01	233-46558-01	233-46558-01
36 Clip Thermostat	233-45242-00	233-45242-00	233-45242-00	233-45242-00
37 Screw 1/4-20 x 5/8 Hex Washer (2 Req'd)	239-42637-00	239-42637-00	239-42637-00	239-42637-00
38A ICON Control Box and Wiring (Powered Anodes)	243-54158-00	243-54158-00	243-54158-00	243-54158-00
38B ICON Control Box and Wiring (Magnesium Anodes)	243-55242-00	243-55242-00	243-55242-00	243-55242-00
39 Kit-Cleanout (Not For Use With ASME Tanks)	415-54256-00	415-54256-00	415-54256-00	415-54256-00
40 Power Anode Harness	239-46070-00	239-46070-00	239-46070-00	239-46070-00
41 Plug-3/4" NPT X Square Socket	239-11638-00	239-11638-00	239-11638-00	239-11638-00
42 Coupling-Vent Terminal	239-46740-00	239-46740-00	239-46740-00	239-46740-00
43 BMS Gateway Kit (Optional)	415-53943-00	415-53943-00	415-53943-00	415-53943-00

* Applies to all warranties

SECTION 1: Serial Numbers "XC-" (March 2021) and Later

APPLIES TO PAGES: 2 THROUGH 13



SECTION 1: Serial Numbers "XC-" (March 2021) and Later

APPLIES TO PAGES: 2 THROUGH 13

Item Description	Model	Model	Model
	EF60T125(E)*(N.X)(A)2	EF60T150(E)*(N.X)(A)2	EF60T199(E)*(N.X)(A)2
1A Combustion System Assembly (Nat)	265-54043-01	265-54043-02	265-54043-03
Combustion System Assembly (L.P.)	265-54043-08	265-54043-09	265-54043-10
2A Blower and Gas Valve Assembly (Nat)	265-54044-01	265-54044-02	265-54044-03
Blower and Gas Valve Assembly (L.P.)	265-54044-08	265-54044-09	265-54044-10
3A Burner Assembly EF	265-46024-00	265-46024-00	265-46024-00
4A Blower	415-51225-00	415-51225-00	415-48922-00
5A Hose Tubing 3/16" I.D.	239-41718-00	239-41718-00	239-41718-00
6A Burner Mounting Insert Gasket**	239-43197-00	239-43197-00	239-43197-00
7A Screw 10-32 x 3/4 SHCS (4 Req'd)	239-43273-00	239-43273-00	239-43273-00
8A Gasket Venturi to Blower	239-44654-00	239-44654-00	239-44654-00
9A Gas Valve Assembly (Nat)	265-54040-01	265-54040-02	265-54040-03
Gas Valve Assembly (L.P.)	265-54041-01	265-54041-02	265-54041-03
10A Nipple 1/2 NPT X 3"	239-37047-00	239-37047-00	239-37047-00
11A Reducer 3/4 x 1/2 NPT	239-04474-00	239-04474-00	239-04474-00
12A Nipple 3/4 NPT x 7"	239-43373-00	239-43373-00	239-43373-00
13A 2" x 3" Dia. Flex Reducer	239-40902-00	239-40902-00	239-40902-00
14A Inlet Tube (PVC)	239-43364-01	239-43364-01	239-43364-01
15A Gasket Blower Transition	239-43241-00	239-43241-00	239-43241-00
16A Screw 8-32 x 1/4 RHCR (4 Req'd)	239-43272-00	239-43272-00	239-43272-00
17A Flame Sensor Gasket	239-43371-00	239-43371-00	239-43371-00
18A Flame Sensor W/ Gasket	415-43232-00	415-43232-00	415-43232-00
19A Blower Transition Weldment	239-43201-00	239-43201-00	239-43201-00
20A Nut Hex Washer (4 Req'd)	239-43297-00	239-43297-00	239-43297-00
21A Spark Rod (w/ Gasket)	415-46481-00	415-46481-00	415-46481-00
22A Spark Rod Gasket	239-43370-00	239-43370-00	239-43370-00
23A Burner Mounting Gasket	239-43246-00	239-43246-00	239-43246-00
24A Burner Tube Kit (w/ Gasket)	415-53033-00	415-53033-00	415-53033-00
25A Burner Mounting Gasket	239-43246-00	239-43246-00	239-43246-00
26A Burner Mounting Insert	239-43167-00	239-43167-00	239-43167-00
27A Ground Wire Assembly 24" Green	239-51994-00	239-51994-00	239-51994-00
28A Gas Regulator Kit (optional)	243-45517-00	243-45517-00	243-45517-00
29A LP to Natural Gas Conversion Kit	265-54048-03	265-54048-02	265-54048-01
30A Common Venting Kit - PVC	415-54696-00	415-54696-00	415-54696-00
Common Venting Kit - Polypro	415-54697-00	415-54697-00	415-54697-00

* Applies to all warranties

** Included with Item 3A

SECTION 1: Serial Numbers "XC-" (March 2021) and Later

APPLIES TO PAGES: 2 THROUGH 13

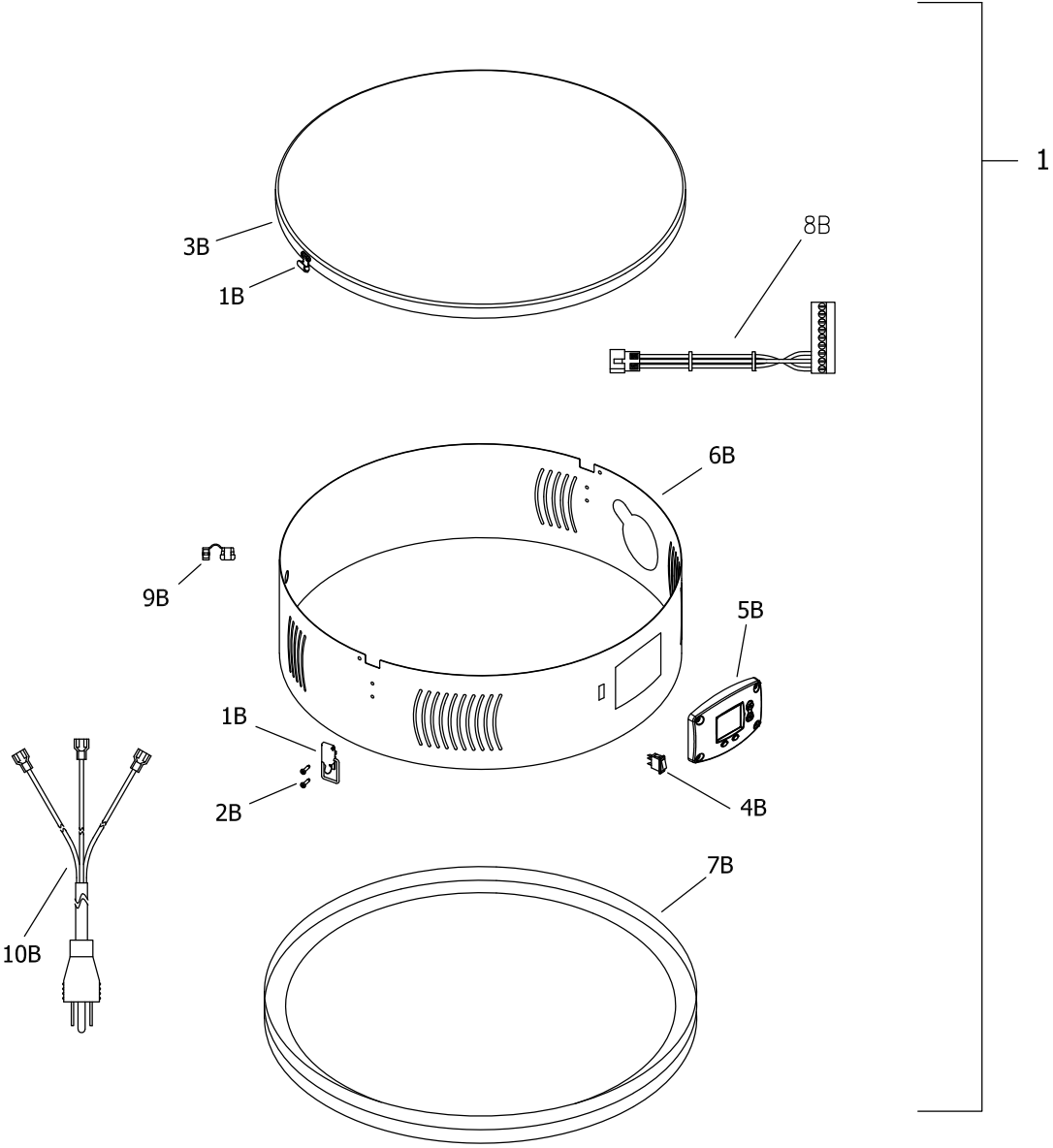
Item Description	Model	Model	Model	Model
	EF100T150(E)*(N,X)(A)2	EF100T199(E)*(N,X)(A)2	EF100T250(E)*(N,X)(A)2	EF100T300(E)*(N,X)(A)2
1A Combustion System Assembly (Nat)	265-54043-04	265-54043-05	265-54043-06	265-54043-07
Combustion System Assembly (L.P.)	265-54043-11	265-54043-12	265-54043-13	265-54043-14
2A Blower and Gas Valve Assembly (Nat)	265-54044-04	265-54044-05	265-54044-06	265-54044-07
Blower and Gas Valve Assembly (L.P.)	265-54044-11	265-54044-12	265-54044-13	265-54044-14
3A Burner Assembly EF	265-46024-00	265-46024-00	265-46024-00	265-46024-00
4A Blower	415-51225-00	415-51428-00	415-51428-00	415-51428-00
5A Hose Tubing 3/16" I.D.	239-41718-00	239-41718-00	239-41718-00	239-41718-00
6A Burner Mounting Insert Gasket**	239-43197-00	239-43197-00	239-43197-00	239-43197-00
7A Screw 10-32 x 3/4 SHCS (4 Req'd)	239-43273-00	239-43273-00	239-43273-00	239-43273-00
8A Gasket Venturi to Blower	239-44654-00	239-44654-00	239-44654-00	239-44654-00
9A Gas Valve Assembly (Nat)	265-54040-04	265-54040-05	265-54040-06	265-54040-07
Gas Valve Assembly (L.P.)	265-54041-04	265-54041-05	265-54041-06	265-54041-07
10A Nipple 1/2 NPT X 3"	239-37047-00	239-37047-00	239-37047-00	239-37047-00
11A Reducer 3/4 x 1/2 NPT	239-04474-00	239-04474-00	239-04474-00	239-04474-00
12A Nipple 3/4 NPT x 7"	239-43373-00	239-43373-00	239-43373-00	239-43373-00
13A 2" x 3" Dia. Flex Reducer	239-40902-00	239-40902-00	239-40902-00	239-40902-00
14A Inlet Tube (PVC)	239-43364-01	239-43364-01	239-43364-01	239-43364-01
15A Gasket Blower Transition	239-43241-00	239-43241-00	239-43241-00	239-43241-00
16A Screw 8-32 x 1/4 RHCR (4 Req'd)	239-43272-00	239-43272-00	239-43272-00	239-43272-00
17A Flame Sensor Gasket	239-43371-00	239-43371-00	239-43371-00	239-43371-00
18A Flame Sensor W/ Gasket	415-43232-00	415-43232-00	415-43232-00	415-43232-00
19A Blower Transition Weldment	239-43201-00	239-43201-00	239-43201-00	239-43201-00
20A Nut Hex Washer (4 Req'd)	239-43297-00	239-43297-00	239-43297-00	239-43297-00
21A Spark Rod (w/ Gasket)	415-46481-00	415-46481-00	415-46481-00	415-46481-00
22A Spark Rod Gasket	239-43370-00	239-43370-00	239-43370-00	239-43370-00
23A Burner Mounting Gasket	239-43246-00	239-43246-00	239-43246-00	239-43246-00
24A Burner Tube Kit (w/ Gasket)	415-53033-00	415-53033-00	415-53033-00	415-53033-00
25A Burner Mounting Gasket	239-43246-00	239-43246-00	239-43246-00	239-43246-00
26A Burner Mounting Insert	239-43167-00	239-43167-00	239-43167-00	239-43167-00
27A Ground Wire Assembly 24" Green	239-51994-00	239-51994-00	239-51994-00	239-51994-00
28A Gas Regulator Kit (optional)	243-45517-00	243-45517-00	243-45517-00	243-45517-00
29A LP to Natural Gas Conversion Kit	265-54048-07	265-54048-06	265-54048-05	265-54048-04
30A Common Venting Kit - PVC	415-54696-00	415-54696-00	415-54696-00	415-54696-00
Common Venting Kit - Polypro	415-54697-00	415-54697-00	415-54697-00	415-54697-00

* Applies to all warranties

** Included with Item 3A

SECTION 1: Serial Numbers "XC-" (March 2021) and Later

APPLIES TO PAGES: 2 THROUGH 13



SECTION 1: Serial Numbers "XC-" (March 2021) and Later

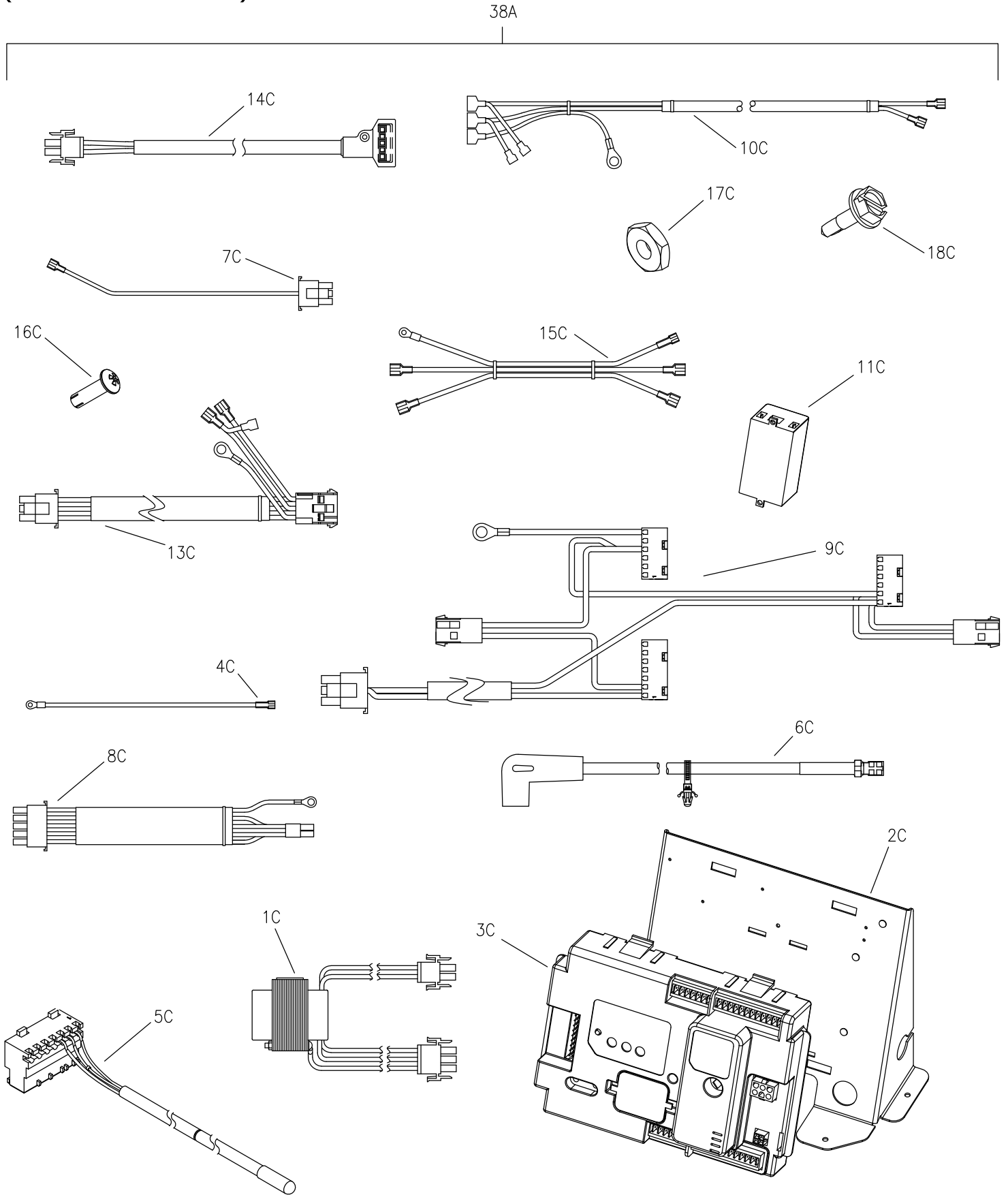
APPLIES TO PAGES: 2 THROUGH 13

	Model EF60T125(E)*(N.X)(A)2	Model EF60T150(E)*(N.X)(A)2	Model EF60T199(E)*(N.X)(A)2
1B Keeper Latch & Catch	239-43239-00	239-43239-00	239-43239-00
2B Screw 8-32 x 1/2 RHCR (2 Req'd)	239-41715-00	239-41715-00	239-41715-00
3B Surround Head-EF Comm.	243-45823-02	243-45823-02	243-45823-02
4B Main Power Switch	239-43234-00	239-43234-00	239-43234-00
5B Control Display-ICON System	415-54047-00	415-54047-00	415-54047-00
6B Ring Combustion Surround	239-47305-02	239-47305-02	239-47305-02
7B Combustion Surround Base	239-51296-02	239-51296-02	239-51296-02
8B Display to Control Harness	239-48168-00	239-48168-00	239-48168-00
9B Strain Relief Bushing (Power Cord)	239-80372-00	239-80372-00	239-80372-00
10B Power Cord-96"	239-44466-00	239-44466-00	239-44466-00

	Model EF100T150(E)*(N.X)(A)2	Model EF100T199(E)*(N.X)(A)2	Model EF100T250(E)*(N.X)(A)2	Model EF100T300(E)*(N.X)(A)2
1B Keeper Latch & Catch	239-43239-00	239-43239-00	239-43239-00	239-43239-00
2B Screw 8-32 x 1/2 RHCR (2 Req'd)	239-41715-00	239-41715-00	239-41715-00	239-41715-00
3B Surround Head-EF Comm.	243-45823-02	243-45823-02	243-45823-02	243-45823-02
4B Main Power Switch	239-43234-00	239-43234-00	239-43234-00	239-43234-00
5B Control Display-ICON System	415-54047-00	415-54047-00	415-54047-00	415-54047-00
6B Ring Combustion Surround	239-47305-02	239-47305-02	239-47305-02	239-47305-02
7B Combustion Surround Base	239-51296-02	239-51296-02	239-51296-02	239-51296-02
8B Display to Control Harness	239-48168-00	239-48168-00	239-48168-00	239-48168-00
9B Strain Relief Bushing (Power Cord)	239-80372-00	239-80372-00	239-80372-00	239-80372-00
10B Power Cord-96"	239-44466-00	239-44466-00	239-44466-00	239-44466-00

SECTION 1: Serial Numbers "XC-" (March 2021) and Later

APPLIES TO PAGES: 2 THROUGH 13
(POWERED ANODES)



SECTION 1: Serial Numbers "XC-" (March 2021) and Later
APPLIES TO PAGES: 2 THROUGH 13
(POWERED ANODES)

	Model EF60T125(E)*(N.X)(A)2	Model EF60T150(E)*(N.X)(A)2	Model EF60T199(E)*(N.X)(A)2
1C Transformer 120V to 24V	233-50559-00	233-50559-00	233-50559-00
2C Control Panel	239-50514-00	239-50514-00	239-50514-00
3C Module-ICON System	415-54156-01	415-54156-01	415-54156-01
4C Ground Wire	239-38951-88	239-38951-88	239-38951-88
5C T-Stat Sensor Harness	239-48587-00	239-48587-00	239-48587-00
6C High Voltage Spark Cable	265-50887-00	265-50887-00	265-50887-00
7C Flame Sensor Wire	239-48237-00	239-48237-00	239-48237-00
8C Blower Modulation Harness	239-48170-00	239-48170-00	239-48170-00
9C Wire Harness Low Fire Start	239-53961-00	239-53961-00	239-53961-00
10C Power Cord/Switch Harness	239-48171-00	239-48171-00	239-48171-00
11C Power Anode Module	239-46229-00	239-46229-00	239-46229-00
13C Blower Power Harness	239-48617-00	239-48617-00	239-48617-00
14C Rectifier Harness	239-43571-00	239-43571-00	239-43571-00
15C Powered Anode Control Harness	239-46247-00	239-46247-00	239-46247-00
16C Screw-#4-40 X 3/8 Pan	239-50731-00	239-50731-00	239-50731-00
17C Nut 8-32 Keeps	239-80029-00	239-80029-00	239-80029-00
18C Screw-#8-18 X 1/2	239-32761-00	239-32761-00	239-32761-00

* Applies to all warranties

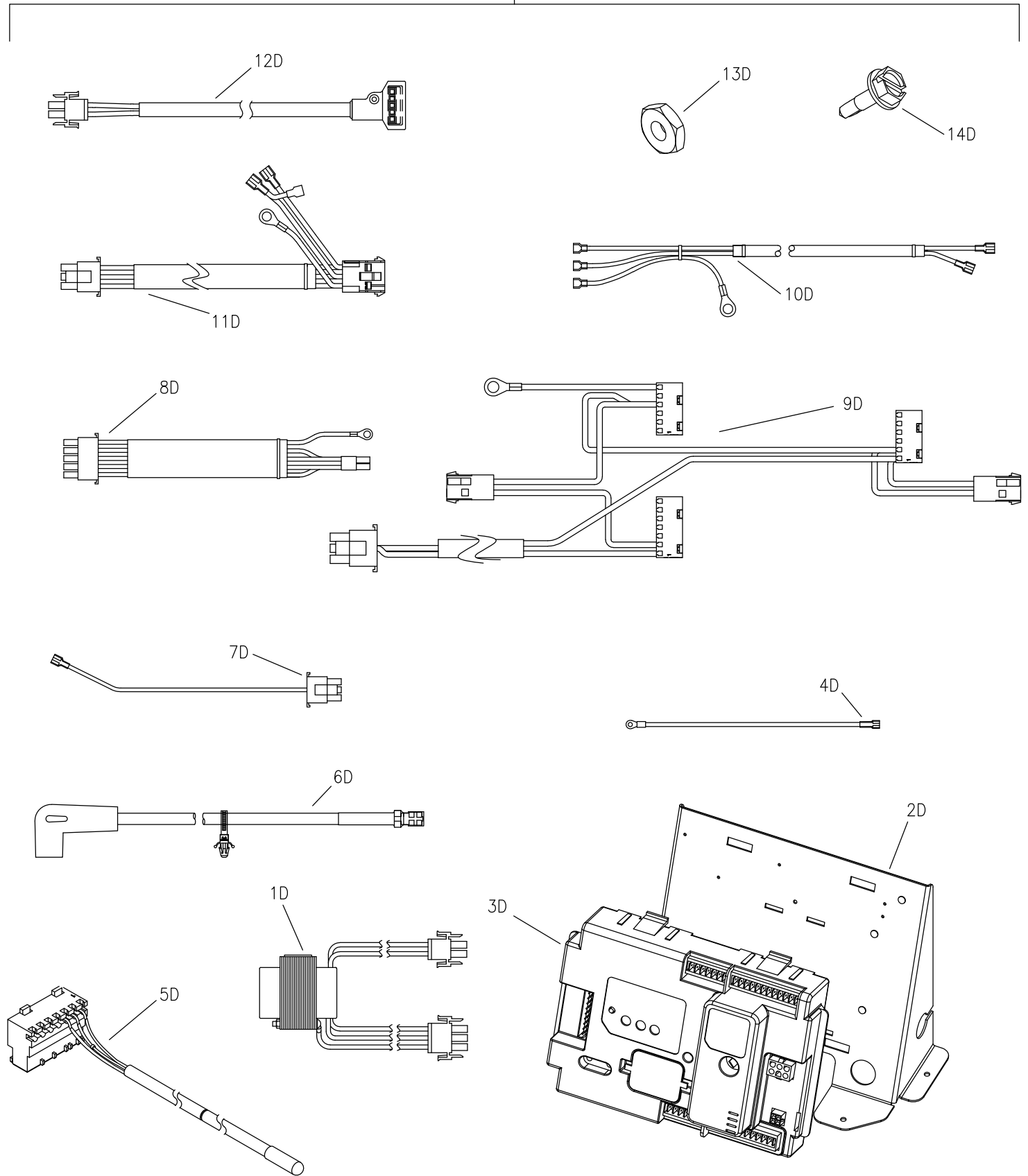
	Model EF100T150(E)*(N.X)(A)2	Model EF100T199(E)*(N.X)(A)2	Model EF100T250(E)*(N.X)(A)2	Model EF100T300(E)*(N.X)(A)2
1C Transformer 120V to 24V	233-50559-00	233-50559-00	233-50559-00	233-50559-00
2C Control Panel	239-50514-00	239-50514-00	239-50514-00	239-50514-00
3C Module-ICON System	415-54156-01	415-54156-01	415-54156-01	415-54156-01
4C Ground Wire	239-38951-88	239-38951-88	239-38951-88	239-38951-88
5C T-Stat Sensor Harness	239-48587-00	239-48587-00	239-48587-00	239-48587-00
6C High Voltage Spark Cable	265-50887-00	265-50887-00	265-50887-00	265-50887-00
7C Flame Sensor Wire	239-48237-00	239-48237-00	239-48237-00	239-48237-00
8C Blower Modulation Harness	239-48170-00	239-48170-00	239-48170-00	239-48170-00
9C Wire Harness Low Fire Start	239-53961-00	239-53961-00	239-53961-00	239-53961-00
10C Power Cord/Switch Harness	239-48171-00	239-48171-00	239-48171-00	239-48171-00
11C Power Anode Module	239-46229-00	239-46229-00	239-46229-00	239-46229-00
13C Blower Power Harness	239-48617-00	239-48617-00	239-48617-00	239-48617-00
14C Rectifier Harness	239-43571-00	239-43571-00	239-43571-00	239-43571-00
15C Powered Anode Control Harness	239-46247-00	239-46247-00	239-46247-00	239-46247-00
16C Screw-#4-40 X 3/8 Pan	239-50731-00	239-50731-00	239-50731-00	239-50731-00
17C Nut 8-32 Keeps	239-80029-00	239-80029-00	239-80029-00	239-80029-00
18C Screw-#8-18 X 1/2	239-32761-00	239-32761-00	239-32761-00	239-32761-00

* Applies to all warranties

SECTION 1: Serial Numbers "XC-" (March 2021) and Later

APPLIES TO PAGES: 2 THROUGH 13
(MAGNESIUM ANODES)

38B



SECTION 1: Serial Numbers "XC-" (March 2021) and Later
APPLIES TO PAGES: 2 THROUGH 13
(MAGNESIUM ANODES)

	Model EF60T125(E)*(N,X)(A)2	Model EF60T150(E)*(N,X)(A)2	Model EF60T199(E)*(N,X)(A)2
1D Transformer 120V to 24V	233-50559-00	233-50559-00	233-50559-00
2D Control Panel	239-50514-00	239-50514-00	239-50514-00
3D Module-ICON System	415-54156-01	415-54156-01	415-54156-01
4D Ground Wire	239-38951-88	239-38951-88	239-38951-88
5D T-Stat Sensor Harness	239-48587-00	239-48587-00	239-48587-00
6D High Voltage Spark Cable	265-50887-00	265-50887-00	265-50887-00
7D Flame Sensor Wire	239-48237-00	239-48237-00	239-48237-00
8D Blower Modulation Harness	239-48170-00	239-48170-00	239-48170-00
9D Wire Harness Low Fire Start	239-53961-00	239-53961-00	239-53961-00
10D Power Cord/Switch Harness	239-54969-00	239-54969-00	239-54969-00
11D Blower Power Harness	239-48617-00	239-48617-00	239-48617-00
12D Rectifier Harness	239-43571-00	239-43571-00	239-43571-00
13D Nut 8-32 Keys	239-80029-00	239-80029-00	239-80029-00
14D Screw-#8-18 X 1/2	239-32761-00	239-32761-00	239-32761-00

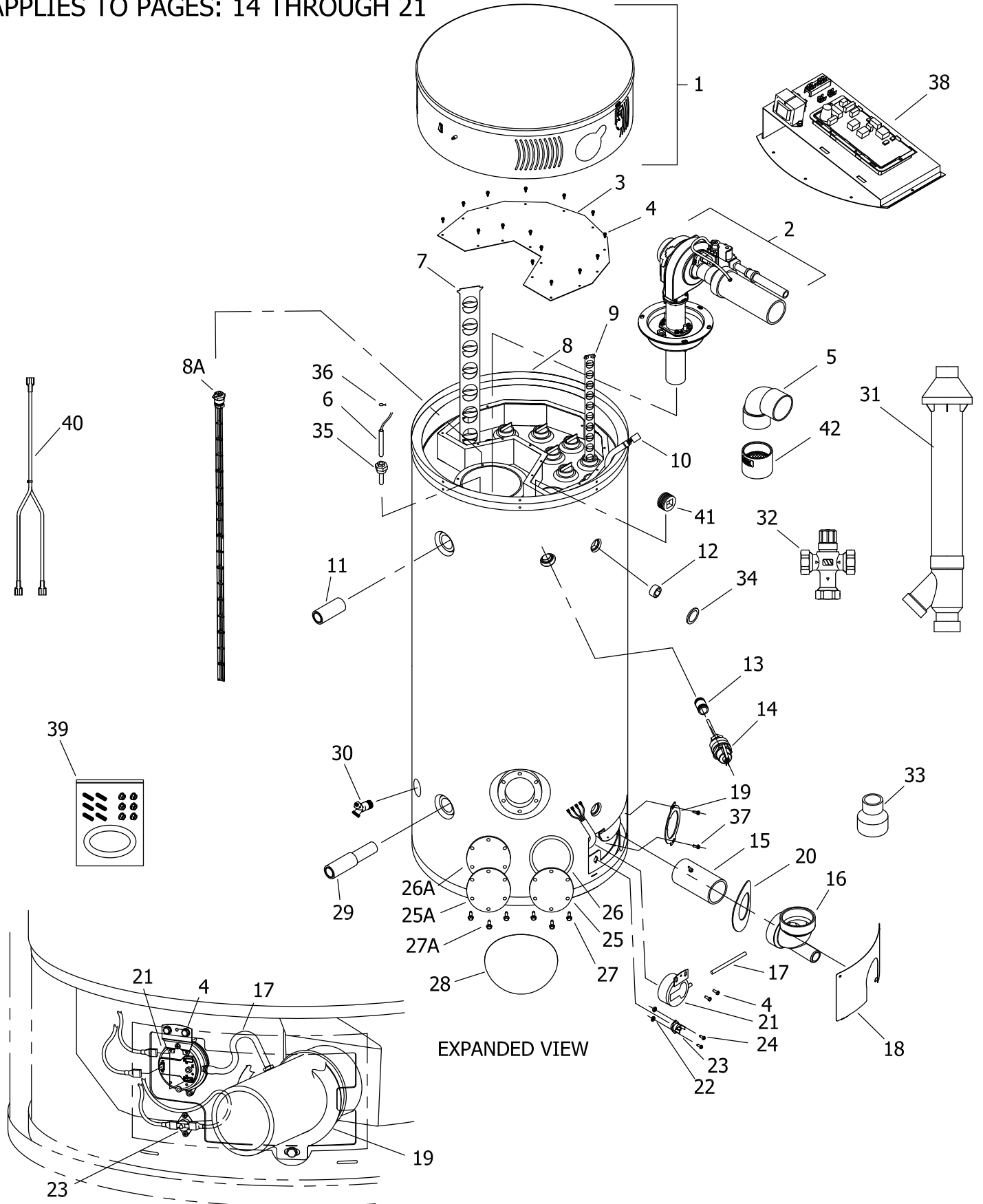
* Applies to all warranties

	Model EF100T150(E)*(N,X)(A)2	Model EF100T199(E)*(N,X)(A)2	Model EF100T250(E)*(N,X)(A)2	Model EF100T300(E)*(N,X)(A)2
1D Transformer 120V to 24V	233-50559-00	233-50559-00	233-50559-00	233-50559-00
2D Control Panel	239-50514-00	239-50514-00	239-50514-00	239-50514-00
3D Module-ICON System	415-54156-01	415-54156-01	415-54156-01	415-54156-01
4D Ground Wire	239-38951-88	239-38951-88	239-38951-88	239-38951-88
5D T-Stat Sensor Harness	239-48587-00	239-48587-00	239-48587-00	239-48587-00
6D High Voltage Spark Cable	265-50887-00	265-50887-00	265-50887-00	265-50887-00
7D Flame Sensor Wire	239-48237-00	239-48237-00	239-48237-00	239-48237-00
8D Blower Modulation Harness	239-48170-00	239-48170-00	239-48170-00	239-48170-00
9D Wire Harness Low Fire Start	239-53961-00	239-53961-00	239-53961-00	239-53961-00
10D Power Cord/Switch Harness	239-54969-00	239-54969-00	239-54969-00	239-54969-00
11D Blower Power Harness	239-48617-00	239-48617-00	239-48617-00	239-48617-00
12D Rectifier Harness	239-43571-00	239-43571-00	239-43571-00	239-43571-00
13D Nut 8-32 Keys	239-80029-00	239-80029-00	239-80029-00	239-80029-00
14D Screw-#8-18 X 1/2	239-32761-00	239-32761-00	239-32761-00	239-32761-00

* Applies to all warranties

SECTION 2: Serial Numbers "XL-" (November 2021) and Later with -895 Designator

APPLIES TO PAGES: 14 THROUGH 21



SECTION 2: Serial Numbers "XL-" (November 2021) and Later with -895 Designator

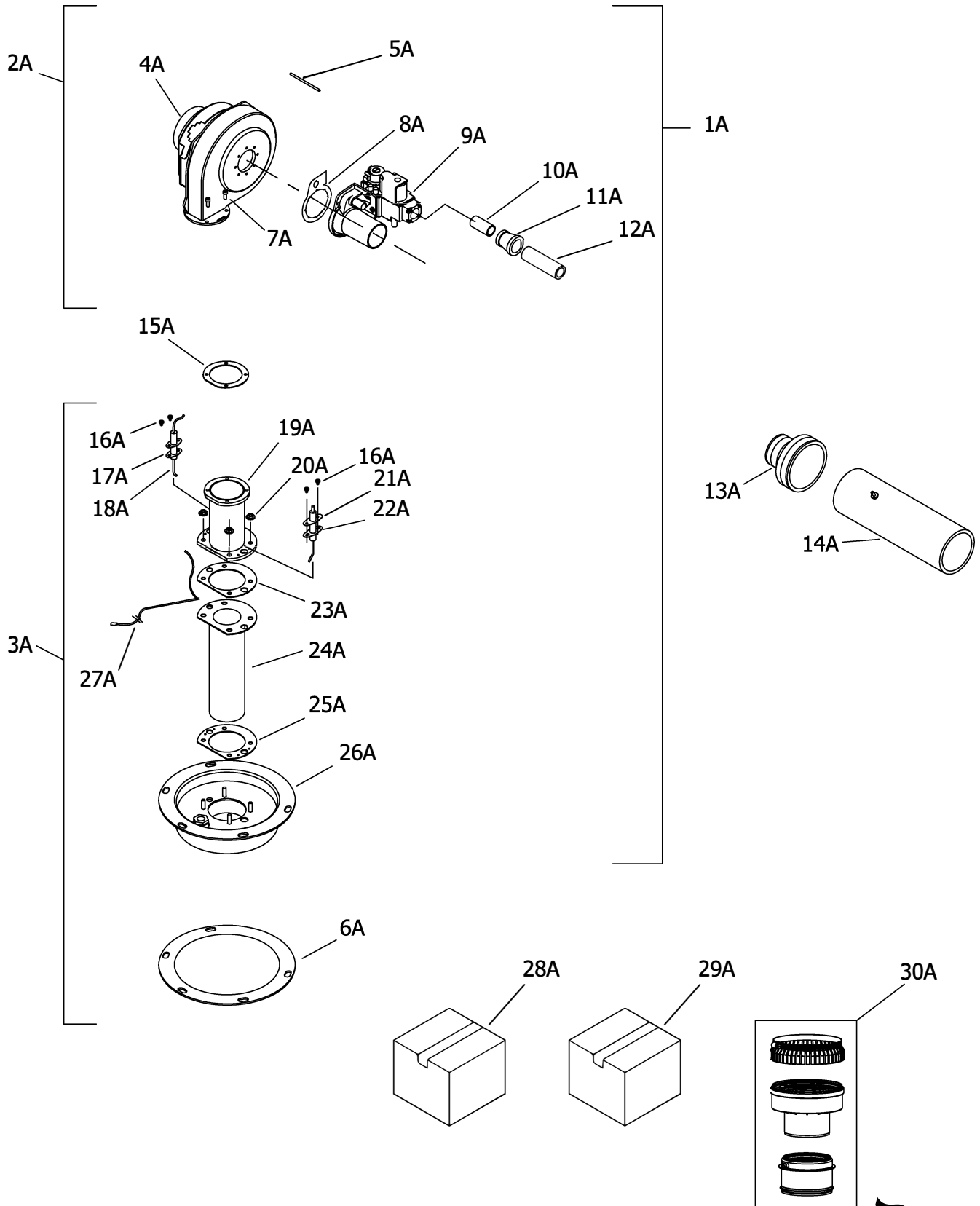
APPLIES TO PAGES: 14 THROUGH 21

Item Description	Model	Model	Model	Model	Model
	EF60T125(E)*(N,X)(A)2	EF60T150(E)*(N,X)(A)2	EF60T199(E)*(N,X)(A)2	EF100T150(E)*(N,X)(A)2	EF100T199(E)*(N,X)(A)2
1 Combustion Surround Assembly	243-47304-02	243-47304-02	243-47304-02	243-47304-02	243-47304-02
2 Combustion System Assembly	See Page 17	See Page 17	See Page 17	See Page 17	See Page 17
3 Collector Cover Second Pass	239-52975-00	239-52975-00	239-52975-00	239-52975-00	239-52975-00
4 Screw 10-16 x 3/4	239-44444-00	239-44444-00	239-44444-00	239-44444-00	239-44444-00
5 Elbow-Vent Terminal (2 Req'd)	415-40579-00	415-40579-00	415-40579-00	415-40579-00	415-40579-00
6 Temperature Sensor	415-46553-02	415-46553-02	415-46553-02	415-46553-02	415-46553-02
7 Baffle 4" Flue (2 Req'd)	243-43304-00	243-43304-00	243-43304-00	---	243-43304-00
8 Anode Rod (Powered) (2 Req'd)#	224-53839-00	224-53839-00	224-53839-00	224-53839-00	224-53839-00
9 Baffle 2" Flue (8 Req'd)	239-45659-00	239-45659-00	239-45659-00	239-45658-00	239-45658-00
10 Wire Harness-Service Panel	239-43358-02	239-43358-02	239-43358-02	239-43358-01	239-43358-01
11 Nipple Hot Water Outlet Plasticsert (Front Connect)	229-40913-07	229-40913-07	229-40913-07	229-40913-07	229-40913-07
12 Pipe Plug 1" NPT	239-02048-00	239-02048-00	239-02048-00	239-02048-00	239-02048-00
13 Nipple Plasticsert T&P	229-32762-02	229-32762-02	229-32762-02	229-32762-02	229-32762-02
14 T&P Relief Valve	415-30246-00	415-30246-00	415-30246-00	415-30246-00	415-30246-00
15 Exhaust Vent Pipe	239-45971-00	239-45971-00	239-45971-00	239-45971-00	239-45971-00
16 Condensate Elbow	415-43211-00	415-43211-00	415-43211-00	415-43211-00	415-43211-00
17 Silicone Tubing 3/16" I.D.	239-41718-00	239-41718-00	239-41718-00	239-41718-00	239-41718-00
18 Outer Door Service Panel	243-44668-00	243-44668-00	243-44668-00	243-44668-00	243-44668-00
19 Bracket Exhaust Support	239-44667-00	239-44667-00	239-44667-00	239-44667-00	239-44667-00
20 Escutcheon-Exhaust Pipe (EF Series)	239-43997-00	239-43997-00	239-43997-00	239-43997-00	239-43997-00
21 Exhaust Pressure Switch	415-46037-01	415-46037-01	415-46037-01	415-46037-01	415-46037-01
22 Keps Nut (2 Req'd)	239-81844-00	239-81844-00	239-81844-00	239-81844-00	239-81844-00
23 Hi-Limit Switch	415-43238-02	415-43238-02	415-43238-02	415-43238-02	415-43238-02
24 Screw 6-32 x 3/8 (2 Req'd)	239-81843-00	239-81843-00	239-81843-00	239-81843-00	239-81843-00
25 Cleanout Cover	205-18428-00	205-18428-00	205-18428-00	205-18428-00	205-18428-00
25A Cleanout Cover (ASME)	205-32941-00	205-32941-00	205-32941-00	205-32941-00	205-32941-00
26 Cleanout Gasket	205-18427-00	205-18427-00	205-18427-00	205-18427-00	205-18427-00
26A Cleanout Gasket (ASME)	205-32942-00	205-32942-00	205-32942-00	205-32942-00	205-32942-00
27 Screw 5/16 - 18 x 1/2	239-82166-00	239-82166-00	239-82166-00	239-82166-00	239-82166-00
27A Screw 5/16 - 18 x 1/2 (ASME) (6 Req'd)	239-32970-00	239-32970-00	239-32970-00	239-32970-00	239-32970-00
28 Clean Out Access Cover	243-20299-00	243-20299-00	243-20299-00	243-20299-00	243-20299-00
29 Dip Tube w/ Nipple Hydrojet (Front Connect)	415-44375-00	415-44375-00	415-44375-00	415-44375-00	415-44375-00
30 Drain Valve Brass (No Handle)	415-42351-02	415-42351-02	415-42351-02	415-42351-02	415-42351-02
31 Coaxial Vent Pipe with Terminal (Optional)	415-44069-01	415-44069-01	415-44069-01	415-44069-01	415-44069-01
32 Approved Mixing Valve (Optional)	239-51778-00	239-51778-00	239-51778-00	239-51778-00	239-51778-00
33 Reducer 3" x 2"	---	---	---	---	---
34 Hole Closure	239-31547-02	239-31547-02	239-31547-02	239-31547-02	239-31547-02
35 Sensor Well	233-46558-01	233-46558-01	233-46558-01	233-46558-01	233-46558-01
36 Clip Thermostat	233-45242-00	233-45242-00	233-45242-00	233-45242-00	233-45242-00
37 Screw 1/4-20 x 5/8 Hex Washer (2 Req'd)	239-42637-00	239-42637-00	239-42637-00	239-42637-00	239-42637-00
38 Integrated Control Box and Wiring	243-54443-00	243-54443-00	243-54443-00	243-54443-00	243-54443-00
39 Kit-Cleanout (Not For Use With ASME Tanks)	415-54256-00	415-54256-00	415-54256-00	415-54256-00	415-54256-00
40 Power Anode Harness	239-46070-00	239-46070-00	239-46070-00	239-46070-00	239-46070-00
41 Plug-3/4" NPT X Square Socket	239-11638-00	239-11638-00	239-11638-00	239-11638-00	239-11638-00
42 Coupling-Vent Terminal	239-46740-00	239-46740-00	239-46740-00	239-46740-00	239-46740-00

* Applies to all warranties

SECTION 2: Serial Numbers "XL-" (November 2021) and Later with -895 Designator

APPLIES TO PAGES: 14 THROUGH 21



SECTION 2: Serial Numbers "XL-" (November 2021) and Later with -895 Designator

APPLIES TO PAGES: 14 THROUGH 21

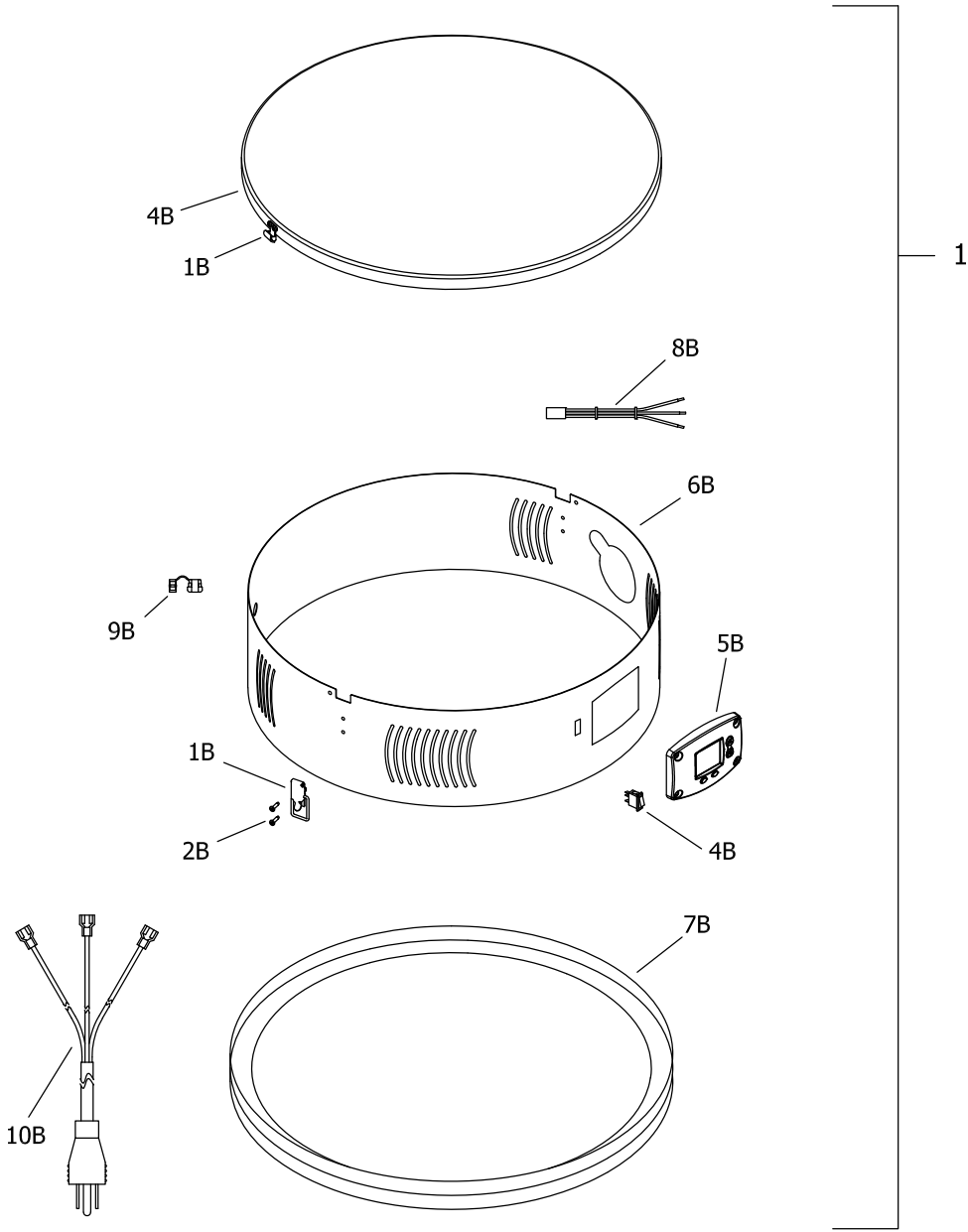
Item Description	Model	Model	Model	Model	Model
	EF60T125(E)*(N,X)(A)2	EF60T150(E)*(N,X)(A)2	EF60T199(E)*(N,X)(A)2	EF100T150(E)*(N,X)(A)2	EF100T199(E)*(N,X)(A)2
1A Combustion System Assembly (Nat)	265-54043-01	265-54043-02	265-54043-03	265-54043-04	265-54043-05
Combustion System Assembly (L.P.)	265-54043-08	265-54043-09	265-54043-10	265-54043-11	265-54043-12
2A Blower and Gas Valve Assembly (Nat)	265-54044-01	265-54044-02	265-54044-03	265-54044-04	265-54044-05
Blower and Gas Valve Assembly (L.P.)	265-54044-08	265-54044-09	265-54044-10	265-54044-11	265-54044-12
3A Burner Assembly EF	265-46024-00	265-46024-00	265-46024-00	265-46024-00	265-46024-00
4A Blower	415-51225-00	415-51225-00	415-48922-00	415-51225-00	415-51428-00
5A Hose Tubing 3/16" I.D.	239-41718-00	239-41718-00	239-41718-00	239-41718-00	239-41718-00
6A Burner Mounting Insert Gasket**	239-43197-00	239-43197-00	239-43197-00	239-43197-00	239-43197-00
7A Screw 10-32 x 3/4 SHCS (4 Req'd)	239-43273-00	239-43273-00	239-43273-00	239-43273-00	239-43273-00
8A Gasket Venturi to Blower	239-44654-00	239-44654-00	239-44654-00	239-44654-00	239-44654-00
9A Gas Valve Assembly (Nat)	265-54040-01	265-54040-02	265-54040-03	265-54040-04	265-54040-05
Gas Valve Assembly (L.P.)	265-54041-01	265-54041-02	265-54041-03	265-54041-04	265-54041-05
10A Nipple 1/2 NPT X 3"	239-37047-00	239-37047-00	239-37047-00	239-37047-00	239-37047-00
11A Reducer 3/4 x 1/2 NPT	239-04474-00	239-04474-00	239-04474-00	239-04474-00	239-04474-00
12A Nipple 3/4 NPT x 7"	239-43373-00	239-43373-00	239-43373-00	239-43373-00	239-43373-00
13A 2" x 3" Dia. Flex Reducer	239-40902-00	239-40902-00	239-40902-00	239-40902-00	239-40902-00
14A Inlet Tube (PVC)	239-43364-01	239-43364-01	239-43364-01	239-43364-01	239-43364-01
15A Gasket Blower Transition	239-43241-00	239-43241-00	239-43241-00	239-43241-00	239-43241-00
16A Screw 8-32 x 1/4 RHCR (4 Req'd)	239-43272-00	239-43272-00	239-43272-00	239-43272-00	239-43272-00
17A Flame Sensor Gasket	239-43371-00	239-43371-00	239-43371-00	239-43371-00	239-43371-00
18A Flame Sensor W/ Gasket	415-43232-00	415-43232-00	415-43232-00	415-43232-00	415-43232-00
19A Blower Transition Weldment	239-43201-00	239-43201-00	239-43201-00	239-43201-00	239-43201-00
20A Nut Hex Washer (4 Req'd)	239-43297-00	239-43297-00	239-43297-00	239-43297-00	239-43297-00
21A Spark Rod (w/ Gasket)	415-46481-00	415-46481-00	415-46481-00	415-46481-00	415-46481-00
22A Spark Rod Gasket	239-43370-00	239-43370-00	239-43370-00	239-43370-00	239-43370-00
23A Burner Mounting Gasket	239-43246-00	239-43246-00	239-43246-00	239-43246-00	239-43246-00
24A Burner Tube Kit (w/ Gasket)	415-53033-00	415-53033-00	415-53033-00	415-53033-00	415-53033-00
25A Burner Mounting Gasket	239-43246-00	239-43246-00	239-43246-00	239-43246-00	239-43246-00
26A Burner Mounting Insert	239-43167-00	239-43167-00	239-43167-00	239-43167-00	239-43167-00
27A Ground Wire Assembly 24" Green	239-51994-00	239-51994-00	239-51994-00	239-51994-00	239-51994-00
28A Gas Regulator Kit (optional)	243-45517-00	243-45517-00	243-45517-00	243-45517-00	243-45517-00
29A LP to Natural Gas Conversion Kit	265-54048-03	265-54048-02	265-54048-01	265-54048-07	265-54048-06
30A Common Venting Kit - PVC	415-54696-00	415-54696-00	415-54696-00	415-54696-00	415-54696-00
Common Venting Kit - Polypro	415-54697-00	415-54697-00	415-54697-00	415-54697-00	415-54697-00

* Applies to all warranties

** Included with Item 3A

SECTION 2: Serial Numbers "XL-" (November 2021) and Later with -895 Designator

APPLIES TO PAGES: 14 THROUGH 21



SECTION 2: Serial Numbers "XL-" (November 2021) and Later with -895 Designator

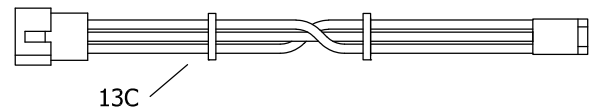
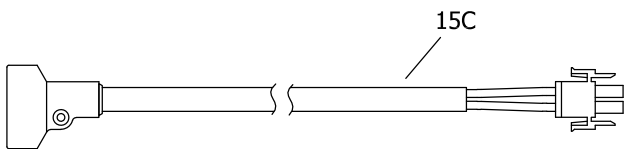
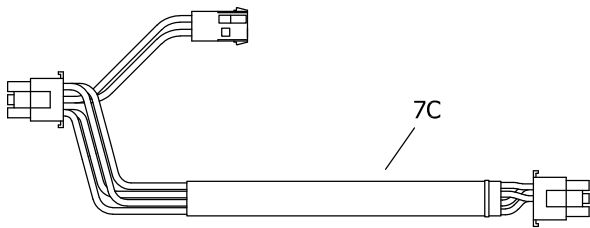
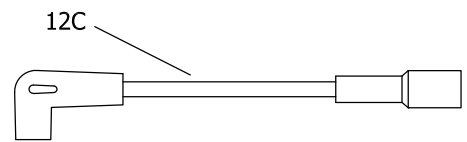
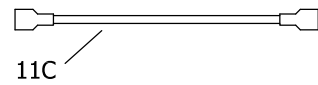
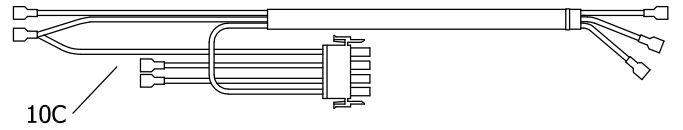
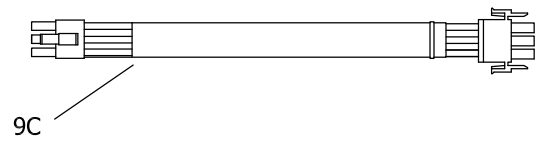
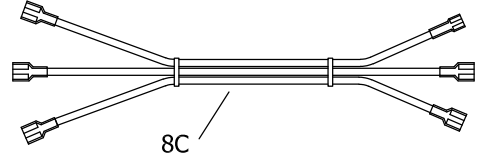
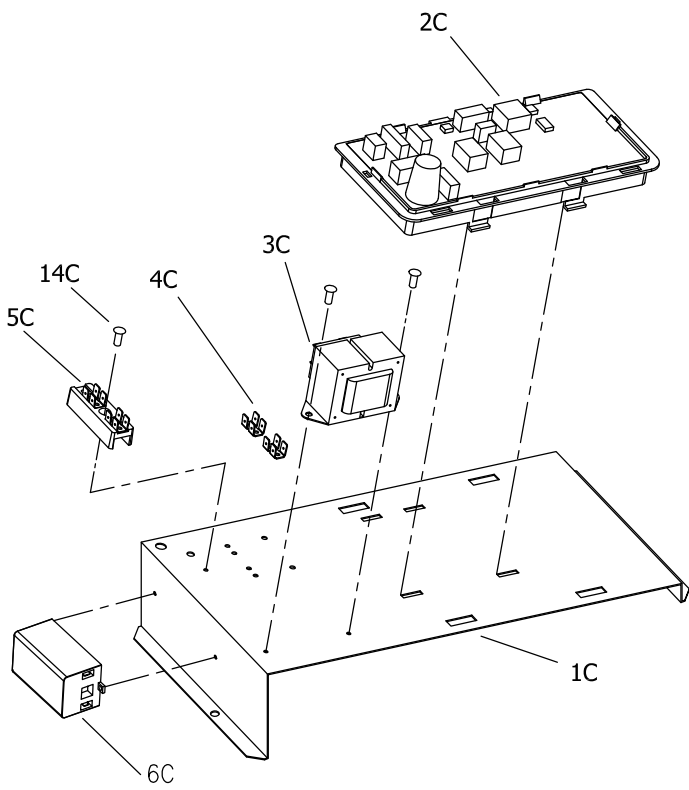
APPLIES TO PAGES: 14 THROUGH 21

Item Description	Model	Model	Model	Model	Model
	EF60T125(E)*(N,X)(A)2	EF60T150(E)*(N,X)(A)2	EF60T199(E)*(N,X)(A)2	EF100T150(E)*(N,X)(A)2	EF100T199(E)*(N,X)(A)2
1B Keeper Latch & Catch	239-43239-00	239-43239-00	239-43239-00	239-43239-00	239-43239-00
2B Screw 8-32 x 1/2 RHCR (2 Req'd)	239-41715-00	239-41715-00	239-41715-00	239-41715-00	239-41715-00
3B Surround Head-EF Comm.	243-45823-02	243-45823-02	243-45823-02	243-45823-02	243-45823-02
4B Main Power Switch	239-43234-00	239-43234-00	239-43234-00	239-43234-00	239-43234-00
5B Display Integrated. Control System	233-46557-00	233-46557-00	233-46557-00	233-46557-00	233-46557-00
6B Ring Combustion Surround	239-47305-02	239-47305-02	239-47305-02	239-47305-02	239-47305-02
7B Combustion Surround Base	239-51296-02	239-51296-02	239-51296-02	239-51296-02	239-51296-02
8B Display to Integrated Control Harness	239-46617-00	239-46617-00	239-46617-00	239-46617-00	239-46617-00
9B Strain Relief Bushing (Power Cord)	239-80372-00	239-80372-00	239-80372-00	239-80372-00	239-80372-00
10B Power Cord	239-44466-00	239-44466-00	239-44466-00	239-44466-00	239-44466-00

SECTION 2: Serial Numbers "XL-" (November 2021) and Later with -895 Designator

APPLIES TO PAGES: 14 THROUGH 21

38



SECTION 2: Serial Numbers "XL-" (November 2021) and Later with -895 Designator

APPLIES TO PAGES: 14 THROUGH 21

Item Description	Model EF60T125(E)*(N,X)(A)2	Model EF60T150(E)*(N,X)(A)2	Model EF60T199(E)*(N,X)(A)2	Model EF100T150(E)*(N,X)(A)2	Model EF100T199(E)*(N,X)(A)2
1C Control Panel	239-48060-00	239-48060-00	239-48060-00	239-48060-00	239-48060-00
2C Integrated Control Board	415-46954-00	415-46954-00	415-46954-00	415-46954-00	415-46954-00
3C Transformer	233-50559-00	233-50559-00	233-50559-00	233-50559-00	233-50559-00
4C Ground Lug (Terminal)	239-80112-00	239-80112-00	239-80112-00	239-80112-00	239-80112-00
5C Terminal Strip	239-80373-00	239-80373-00	239-80373-00	239-80373-00	239-80373-00
6C Powered Anode Module (115V)	239-46229-00	239-46229-00	239-46229-00	239-46229-00	239-46229-00
7C Control Harness	239-46863-00	239-46863-00	239-46863-00	239-46863-00	239-46863-00
8C Powered Anode Harness	239-54422-00	239-54422-00	239-54422-00	239-54422-00	239-54422-00
9C Blower Harness	239-46865-00	239-46865-00	239-46865-00	239-46865-00	239-46865-00
10C Power Switch Harness	239-46864-00	239-46864-00	239-46864-00	239-46864-00	239-46864-00
11C Sensor Wire 19" Black	239-38951-84	239-38951-84	239-38951-84	239-38951-84	239-38951-84
12C High Voltage Spark Cable	239-46861-00	239-46861-00	239-46861-00	239-46861-00	239-46861-00
13C Integrated Control Board Display Harness	239-46944-00	239-46944-00	239-46944-00	239-46944-00	239-46944-00
14C Screw-#8-18 x 1/2 PHCR (5 Req'd)	239-43736-00	239-43736-00	239-43736-00	239-43736-00	239-43736-00
15C Rectifier Harness EF	239-43571-00	239-43571-00	239-43571-00	239-43571-00	239-43571-00

* Applies to all warranties



United States

Sales 800-523-2931

Technical Support 800-334-3393

Email techserv@bradfordwhite.com

Warranty 800-531-2111

Email warranty@bradfordwhite.com

Service Parts 800-538-2020

Email parts@bradfordwhite.com

Canada

Sales & Technical Support 866-690-0961 905-203-0600

Fax 905-636-0666

Warranty bwccwarranty@bradfordwhite.com

Technical Support bwccotech@bradfordwhite.com

Service Parts orders@bradfordwhitecanada.com

Orders ca.orders@bradfordwhite.com

For U.S. and Canada field service,
contact your professional installer or
local Bradford White sales representative.

International

General Contact international@bradfordwhite.com