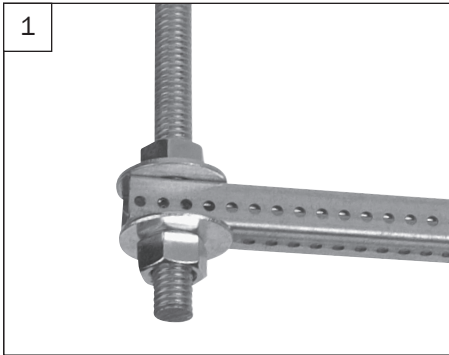
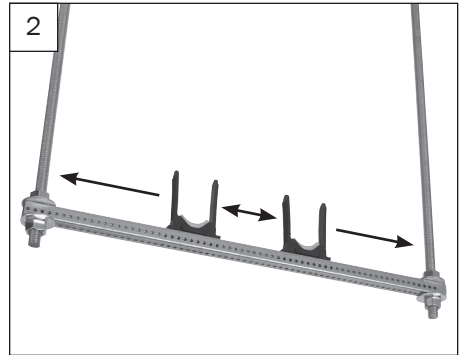


Power Bar Mini Strut™

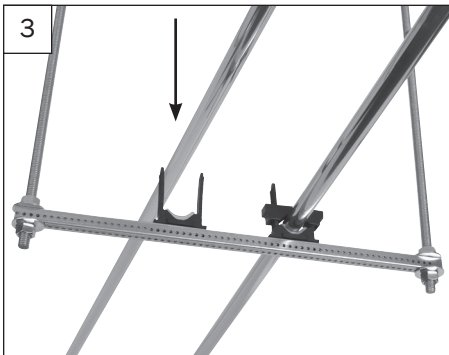
Installation Guide



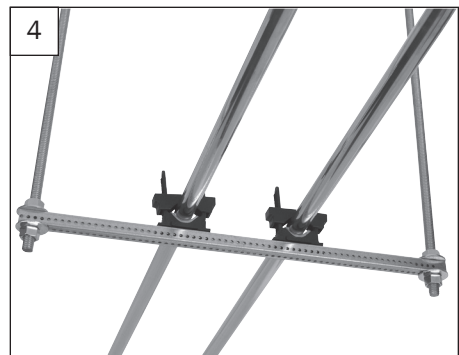
1
Locate holes on bracket and secure bracket to $\frac{3}{8}$ " threaded rod using washers and $\frac{3}{8}$ " nuts. If desired, hardware can be installed both above and below bracket. Install double nut if specified.



2
Slide TouchDown clamps to desired location within the bracket.



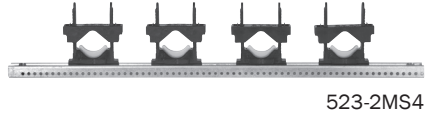
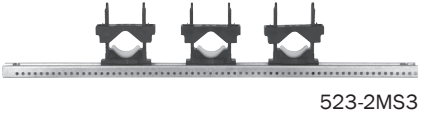
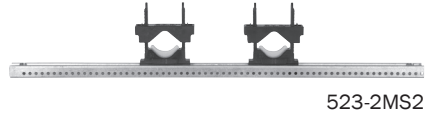
3
Position tube or conduit into base of TouchDown clamp.



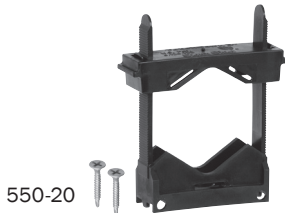
4
Ratchet bridge of TouchDown clamp down over both posts evenly.

Power Bar Mini Strut™

Installation Guide



For larger pipe sizes or when insulation is required, use the TouchDown II clamp (purchase separately) and install on the bracket with the screws provided.



Additional TouchDown clamps can be purchased in bulk and added to the bracket before installing threaded rod. Ideal when running flexible gas lines.

