

# Installation Instructions



PFP600, PFA600

## Solvent Weld Shower Drains

### INSTALLATION INSTRUCTIONS

**1. Read all instructions carefully prior to installation.**

**2. Separate the drain**

To install, separate the drain into a top drain body (parts #1-4) and bottom (parts #5-7) drain body.

**3. Apply silicone**

Apply a bead of silicone to the underside of the top portion, then place it through the drain hole in the shower base.

**4. Connect drain parts**

From underneath the shower, place the rubber washer, then paper ("friction") washer, then bottom body portion and tighten. The friction washer protects the rubber from damage while the bottom portion is threaded on and tightened.

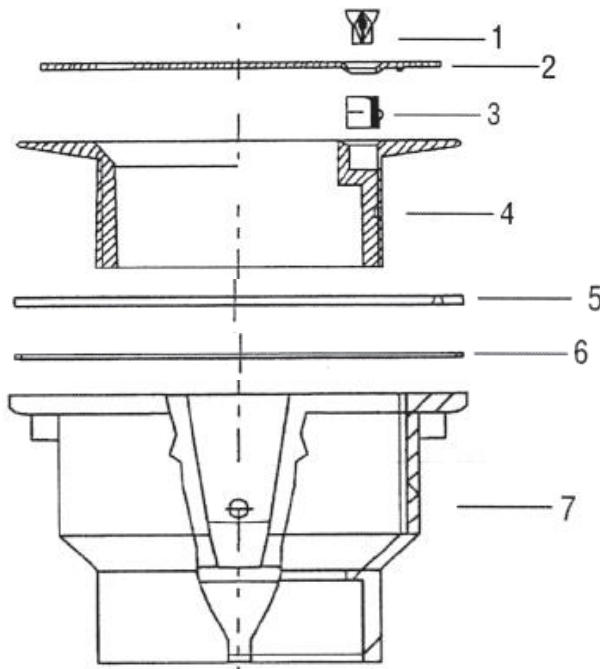
**5. Remove excess silicone**

From the top side of the shower base, remove excess silicone that has been pressed out when the drain was tightened.

**6. Solvent weld drain to pipe**

Now solvent weld the drain pipe to the hub of the newly installed drain using the appropriate solvent cement. Allow 24 hours for the silicone to cure and be sure to check installation for leaks.

**CAUTION: Do not use oil-based putty with plastic drains.**



No.	Part	Qty.
1	Screw	1
2	SS Grid	1
3	Brass Nut	2
4	Drain Body	1
5	Rubber Washer	1
6	Paper Washer	1
7	Body	1

**Before purchase and use of a product, please review the product application and be certain the product, installation and use will be in compliance with any applicable codes and regulations.**