

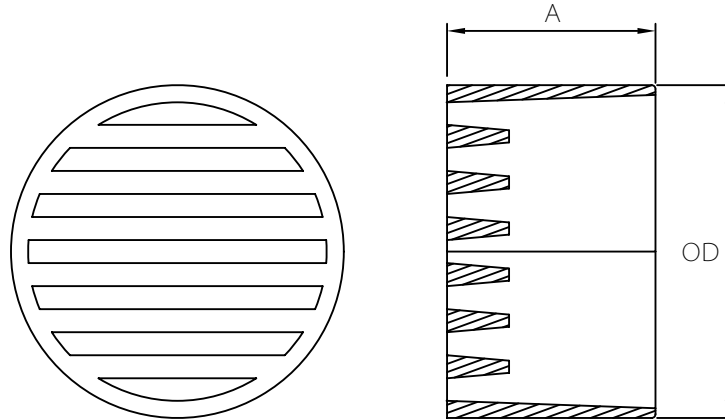


MULTI FITTINGS

LAYING LENGTH

ISSUE DATE: NOV 15/17
SUPERCEDES: MAY 10/05

DRAIN GRATE



INJECTION MOLDED FITTING (M)

	SIZE	PART NUMBER	A REF	OD
M	3	040811	1.500	3.246
M	4	040911	1.750	4.215
M	6	040912	3.000	6.250