



## Fire Protection Digital Pressure Switch

Upgrade any mechanical pressure switch on your fire protection air compressor with one of our state of the art digital pressure switches.

Scan QR code to order or to learn more. →



**The ONLY UL-Listed Digital Pressure Switch in the Fire Protection industry designed and built by the compressor manufacturer themselves!**

### PRE-SET PRESSURES FOR EASY INSTALLATION

Low Pressure	Standard Pressure Riser Mounted	Standard Pressure Tank Mounted	High Pressure
(13/18)	(27/40)	(45/60)	(80/100)

Can easily be adjusted to any custom setting with the push of a button.

### Advantages of upgrading to our Digital Pressure Switch

- One Pressure Switch for All Compressors
- Easily Adjust Pressure Settings In The Field
- Displays Pressure Readings
- Displays/Records Run Hours
- Displays Motor Amps
- Displays/Records Cycles

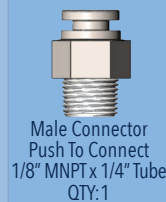
Kit Model Number	Max Operating Pressure	Voltage Range	Max Current	Wire Size
DPS-RETRO	130 PSI	100 - 277 VAC	20 AMP	12 - 18 AWG

All 3-phase units require a motor line starter. 460 volt and higher may require a transformer. For all 3-phase installations please consult the manufacturer.

### Kit includes everything you need to upgrade to digital.



For use under US Patent No. 11,174,857



Male Connector Push To Connect 1/8" MNPT x 1/4" Tube QTY:1



Male Elbow Connector Push To Connect 3/8" MNPT x 1/4" Tube QTY:1



Female Connector Push To Connect 1/4" FNPT x 1/4" Tube QTY:1



3/8" X 1/4" Bushing QTY:1



1/2" X 1/4" Bushing QTY:1



Male Connector Push To Connect 1/4" MNPT x 1/4" Tube QTY:1



Male Connector Push To Connect 3/8" MNPT x 1/4" Tube QTY:1



Pipe Clamp 1" To 4" Pipe #500-056 QTY:2



Pipe Clamp 4" To 10" Pipe #500-152 QTY:2

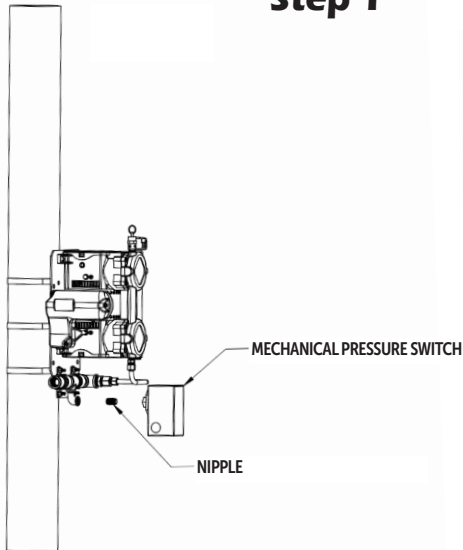


1/4" Tube QTY:5ft.

## RISER MOUNTING OPTION

(USE THREAD SEALANT AS REQUIRED)

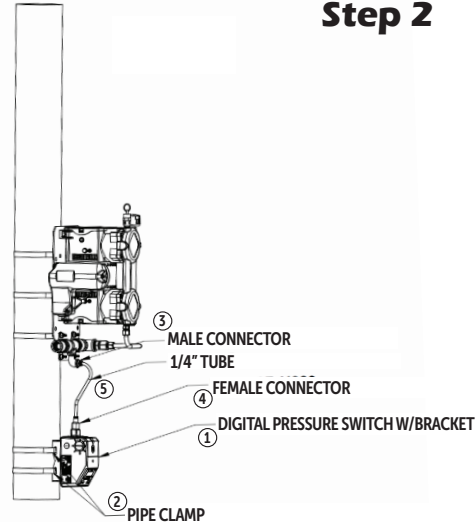
### Step 1



**NOTES:**

1. Remove: Mechanical pressure switch & nipple from manifold from existing compressor.

### Step 2



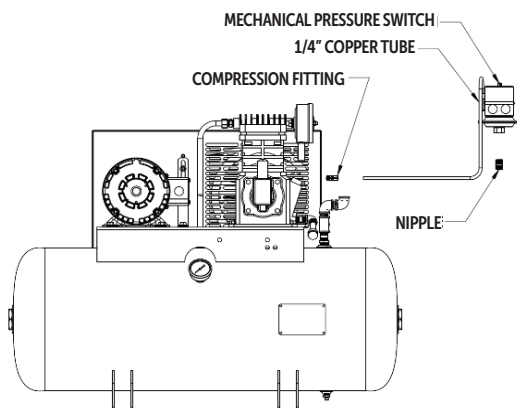
**NOTES:**

1. Install Digital Pressure Switch with bracket to pipe
2. Depending on pipe size use the following pipe clamp: for 1" to 4" pipe use part #500-056 For 4" to 10" pipe use part #500-152
3. Install the appropriate Male Connector x 1/4" tube adapter to manifold
4. Install the Female Connector to the Digital Pressure Switch
5. Insert 1/4" tube into fitting on Digital Pressure Switch & fitting on manifold

## TANK MOUNTING OPTION

(USE THREAD SEALANT AS REQUIRED)

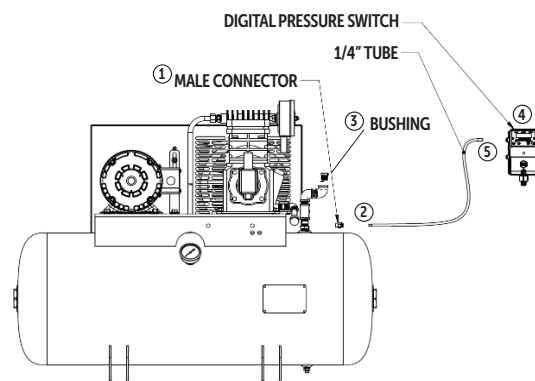
### Step 1



**NOTES:**

1. Remove: Mechanical pressure switch, 3/8" nipple, 1/4" copper tube compression fitting

### Step 2

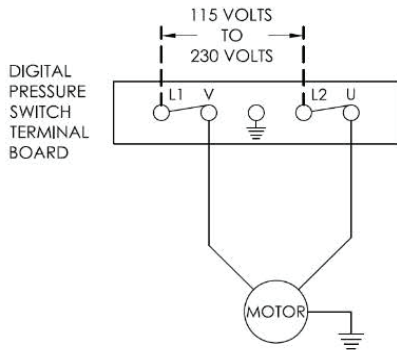


**NOTES:**

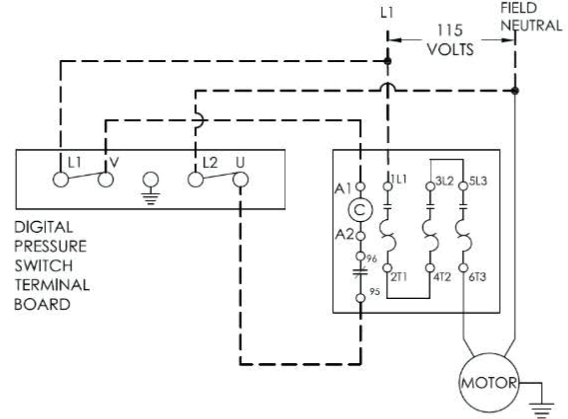
1. Install the appropriate Male Connector x 1/4" tube adapter into Check Valve on tank
2. Insert 1/4" Tube into Male Connector tube adapter. Cut tube to length as required
3. Insert the appropriate x 1/4" Bushing into elbow on tank manifold
4. Install Digital Pressure Switch into bushing
5. Insert 1/4" tube into the top port (overload) on left side of Digital Pressure Switch

## WIRING INSTRUCTIONS AT DIFFERENT VOLTAGES

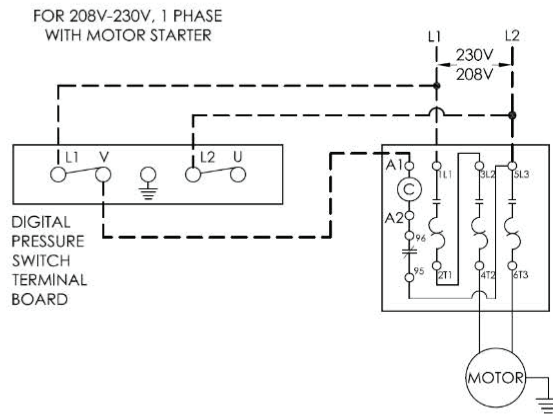
### For 115V to 230V, 1 Phase, 3HP and Below Only, Pressure Switch



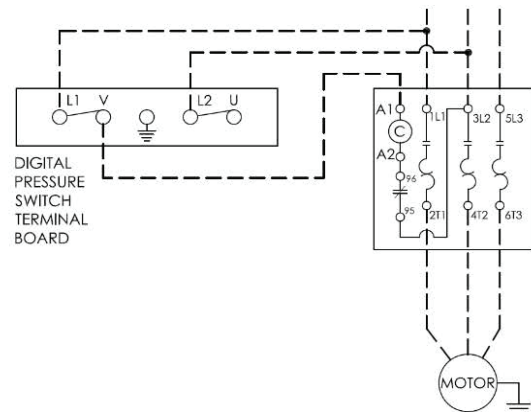
### For 115V, 1 Phase, with Motor Starter



### For 208V to 230V, 1 Phase, with Motor Starter

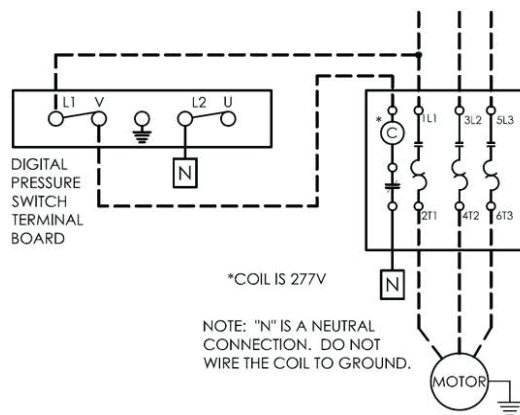


### For 208V to 230V, 3 Phase, with Motor Starter

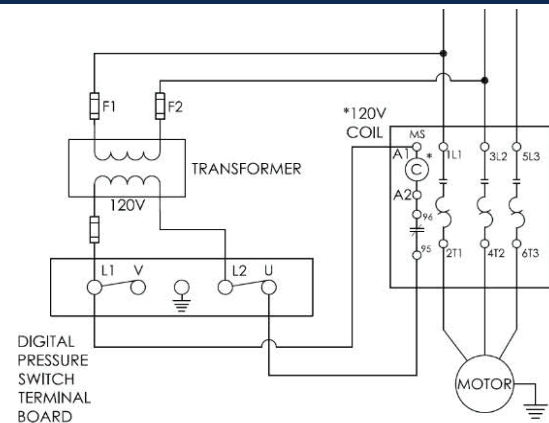


### For 460V, 3 Phase, 60 Hz with Motor Starter

**\*MUST USE 277V COIL**



### For 3 Phase with Transformer and 120V Pilot Duty Coil, for All Voltage Above 460V, 3 Phase



#### NOTES:

1. Most motors are multiple voltage, verify motor internal connections are correct for supply voltage.
2. Feeder wire size must be capable of carrying start-up current load and current load at maximum pressure.

3. Digital Pressure Switch to control coil circuit, if a motor starter is used.
4. Other wiring variations are possible. Always consult local and/or building codes.
5. ----- Dashed lines indicate field connections.



## QUICK START GUIDE

### Enabling Pressure Setting Presets

There are 4 different pressure ON/OFF presets.

**PRESETS**

1. 13/18
2. 27/40
3. 45/60
4. 80/100

To enable Preset Mode, hold the "ENTER" + "ALT" button for 3 seconds.

Pressing the "ALT" button will toggle through the 4 presets



When the correct preset is selected, pressing the "ENTER" button will enable the setting and normal operating mode will proceed.

### Setting A Custom ON/OFF Pressure

Hold the "ENTER" + "UP" Arrow Button for 3 seconds.

The word "On" and the "ON" pressure setting will be displayed in a continuous back and forth lighting sequence.



Use the "UP" and "DOWN" arrow buttons to change the "ON" pressure setting. Pressing the Enter button once will continue to the Off pressure setting.

Use the "UP" and "DOWN" arrow buttons to change the "OFF" pressure setting. Press "ENTER" to save.

### Alternate Displays

To view "AMPS", "HOURS", or "CYCLES" simply press the "ALT" button to cycle through the displays.

The "AMPS", "PSI", and "HOURS" LED's will turn on or off to indicate the units displayed.



The display will default back to "PSI" if untouched for 15 seconds.

### Alarms

When the device enters alarm mode, the display will flash between the normal display and the alarm code.

**THE FOLLOWING ARE THE 2 ALARM CODES:**

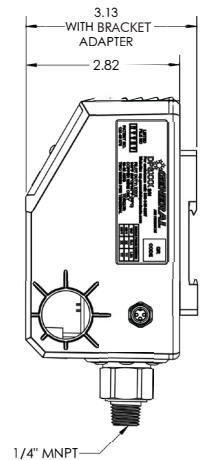
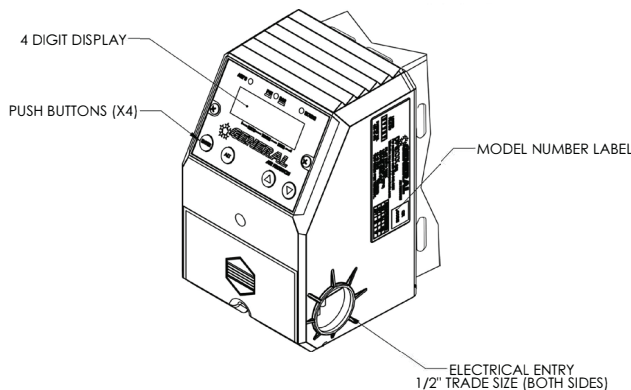
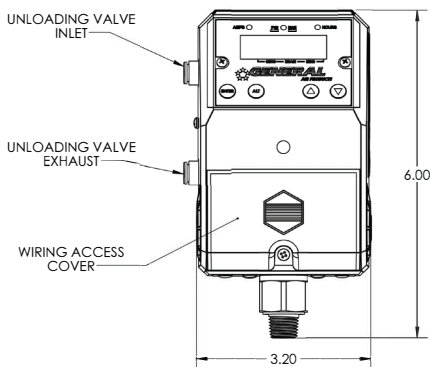
- AL 2** = Motor exceeded 45 minutes of constant runtime.
- AL 3** = 6 motor cycles were detected within 1 hour.

**RESETTING AN ALARM**

Hold the "ENTER" button for 3 seconds.



## GENERAL ARRANGEMENT



### SPECIFICATIONS:

- MAX OPERATING PRESSURE: 130PSIG
- VOLTAGE INPUT: 100-277/50-60Hz VAC
  - OPTIONAL 24VDC
- MAX CURRENT: 20A (INDUCTIVE LOAD)
- PILOT DUTY: A300
- AMBIENT TEMPERATURE RANGE: 50°F (10°C) MIN – 105°F (40°C) MAX
- WIRE SIZE: 12-18AWG
- WEIGHT (WITHOUT UNLOADING VALVE): 372g or 0.82lbs.
  - WEIGHT WITH UNLOADING VALVE: 450g or 0.99lbs.
- ALARM SIGNAL: DRY CONTACTS
  - 250mA @ 200V AC/DC

